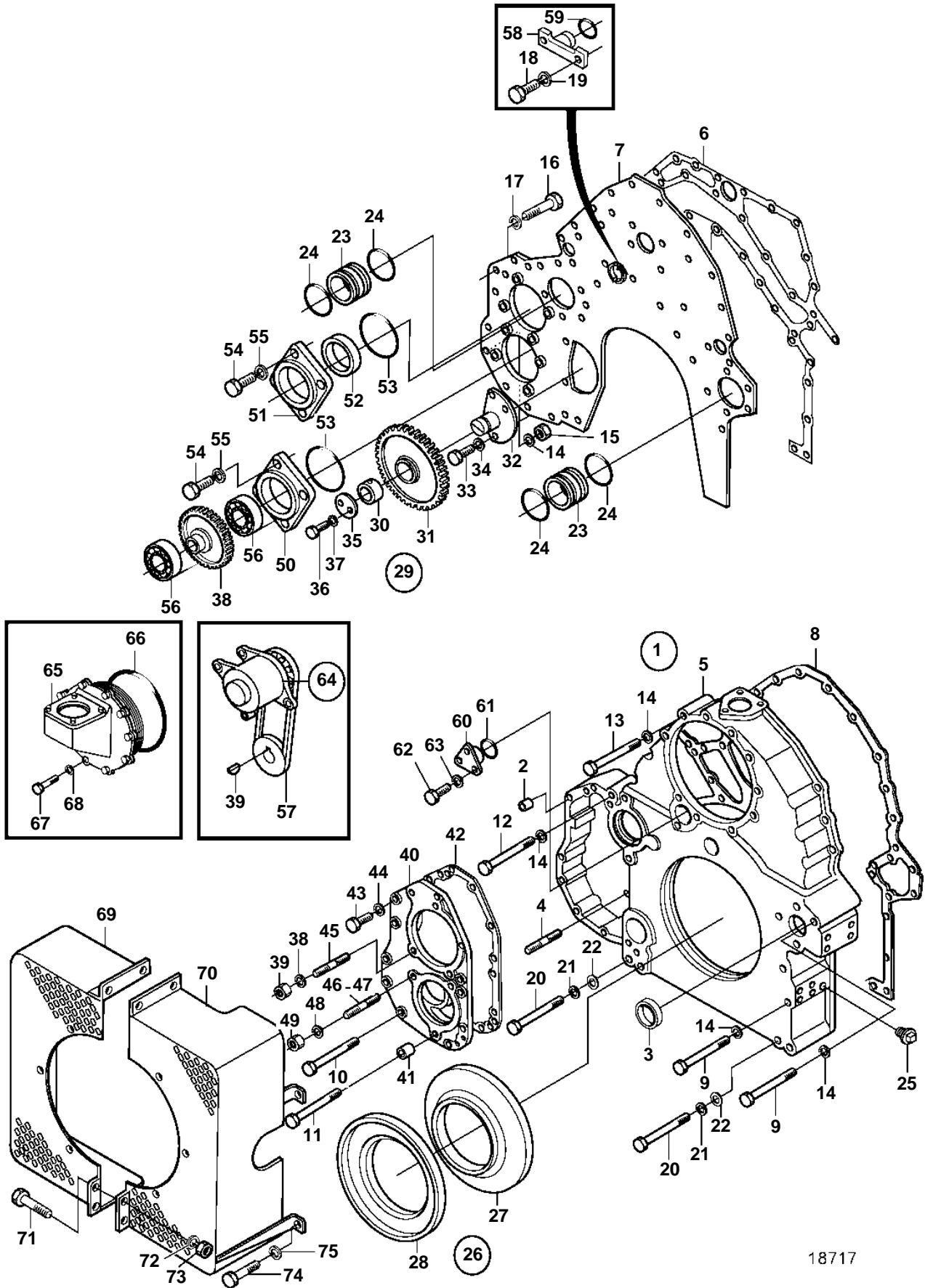


D49A-MS AUX



18717

D49A-MS AUX

REF	PART NO.	QTY	DESCRIPTION	SEE SEC.
1	3833144	1	Gear housing	
2	3831816	2	· Pin	
3	3833117	2	· Cap	
4	3834740	2	· Stud	
5		1	· Timing gear casing	
6	3833941	1	Gasket	
7	3835476	1	Front plate	
8	3833942	1	Gasket	
9	3832207	10	Screw	
10	3831553	6	Screw	
11	3832215	1	Screw	
12	3832090	3	Screw	
13	3832090	1	Screw	
14	3832245	21	Spring washer	
15	3832204	4	Nut	
16	3832056	27	Screw	
17	3832245	27	Spring washer	
18	3832065	2	Screw	
19	3832245	2	Spring washer	
20	3832219	4	Screw	
21	3832282	4	Spring washer	
22	3831794	4	Washer	
23	3833676	2	Clutch	
24	3831977	4	O-ring	
25	3836541	1	Plug	
26	3834439	1	Ring	
27	3834616	1	· Oil deflector ring	
28	3831761	1	· Sealing ring	
29	3833583	1	Idler gear	
30	3831693	1	· Bushing	
31		1	· Idler gear	
32	3835477	1	Shaft	
33	3832063	4	Screw	
34	3832245	4	Spring washer	
35	3831631	1	Plate	
36	3832042	2	Screw	
37	3832233	2	Spring washer	
38	3833601	1	Gear	
39	3832286	1	Woodruff key	
40	3834211	1	Plate	
41	3833972	1	Guide sleeve	
42	3833918	1	Gasket	
43	3832063	4	Screw	
44	3832245	4	Spring washer	
45	3834740	2	Stud	
46	3834743	2	Stud	
47	3834741	2	Stud	
48	3832245	6	Spring washer	
49	3832199	6	Lock nut	
50	3833359	1	Bearing cover	
51	3835478	1	Bearing cover	
52	3834462	1	Seal	
53	3831937	2	O-ring	
54	3832056	8	Screw	
55	3832245	8	Spring washer	
56	3831658	2	Bearing	
57	3834297	1	Pulley	
58	3834279	1	Plug	
59	3831569	1	O-ring	
60	3833488	1	Flange	
61	3831574	1	O-ring	
62	3832058	3	Screw	
63	3832245	3	Spring washer	

D49A-MS AUX

REF	PART NO.	QTY	DESCRIPTION	SEE SEC.
64	3832150	1	Alternator	
				5001
65	3836663	1	Bracket	
66	3835675	1	O-ring	
67	3832058	9	Screw	
68	3832245	9	Spring washer	
69	3835706	1	Belt protector	
70	3837197	1	Belt protector	
71	3832042	4	Screw	
72	3832233	4	Spring washer	
73	3832196	4	Lock nut	
74	3835725	1	Screw	
75	3832245	1	Spring washer	