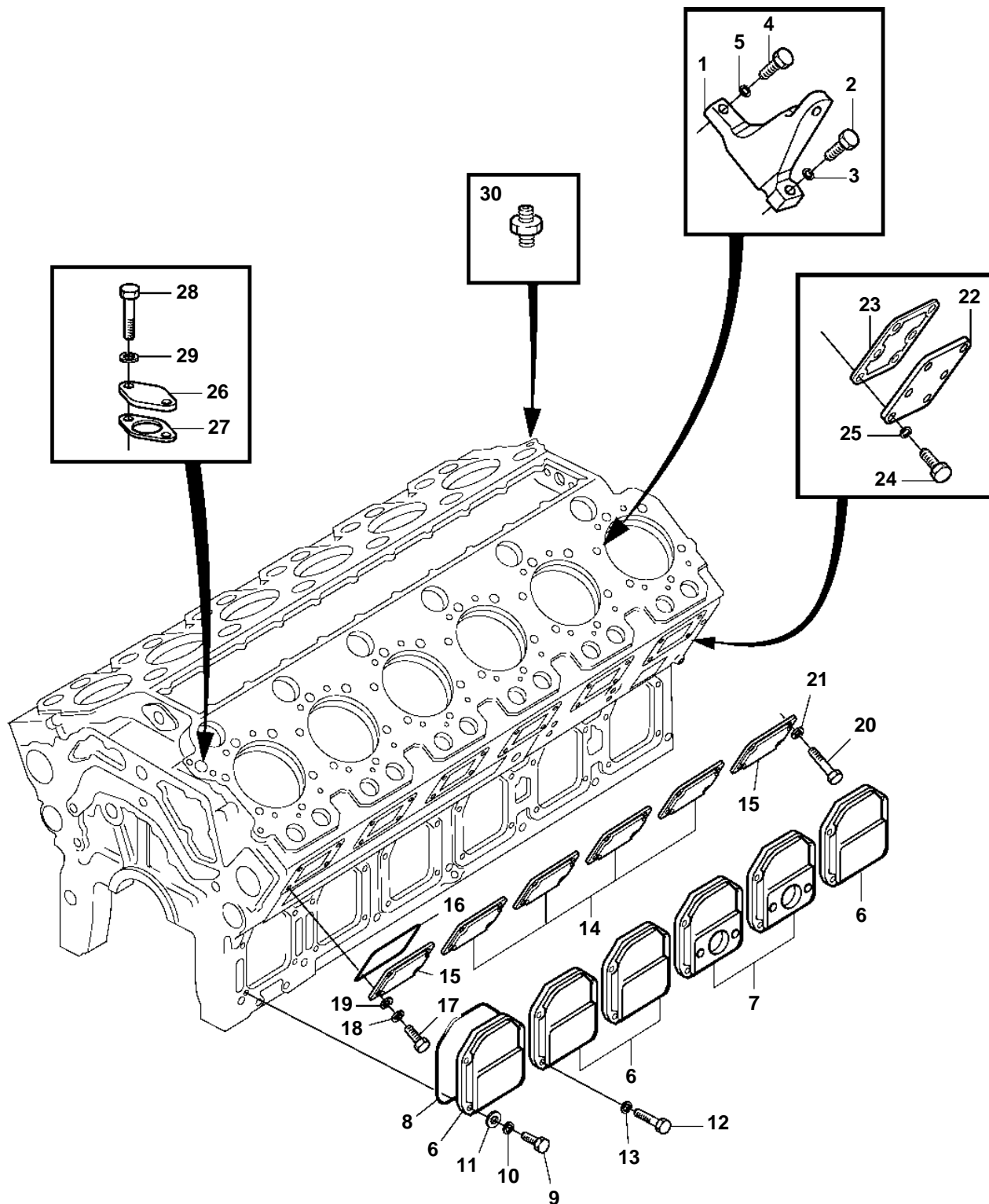


D49A-MT AUX, D49A-MS AUX



D49A-MT AUX, D49A-MS AUX

| REF | PART NO. | QTY | DESCRIPTION | NOTES |
|-----|----------|-----|---------------|--|
| 1 | | 4 | Lifting eye | |
| 2 | 3831568 | 4 | Screw | |
| 3 | 3831802 | 4 | Spring washer | |
| 4 | 3831558 | 4 | Screw | |
| 5 | 3832282 | 4 | Spring washer | |
| 6 | 3835033 | 10 | Cover | |
| 7 | 3835034 | 2 | Cover | |
| 8 | 3831754 | 12 | O-ring | |
| 9 | 3832058 | 39 | Screw | |
| 10 | 3832245 | 39 | Spring washer | |
| 11 | 3832218 | 39 | Washer | |
| 12 | 3832073 | 5 | Screw | |
| 13 | 3832245 | 5 | Spring washer | |
| 14 | 3835434 | 9 | Cover | |
| 15 | 3835022 | 3 | Cover | |
| 16 | 3831755 | 12 | O-ring | |
| 17 | 3832058 | 11 | Screw | UPPER. For Crankcase 3834774, use only screw 3832058. SN-11454 |
| | 3832056 | 24 | Screw | LOWER. Only for crankcase 888262. SN11455- |
| 18 | 3832245 | 35 | Spring washer | |
| 19 | 3832218 | 35 | Washer | |
| 20 | 3832081 | 4 | Screw | |
| 21 | 3832245 | 4 | Spring washer | |
| 22 | 3833346 | 2 | Cover | |
| 23 | 3835435 | 2 | Gasket | |
| 24 | 3832056 | 12 | Screw | |
| 25 | 3832245 | 12 | Spring washer | |
| 26 | 3833330 | 2 | Cover | |
| 27 | 3835436 | 2 | Gasket | |
| 28 | 3832058 | 4 | Screw | |
| 29 | 3832245 | 4 | Spring washer | |
| 30 | 3832325 | 1 | Connector | |