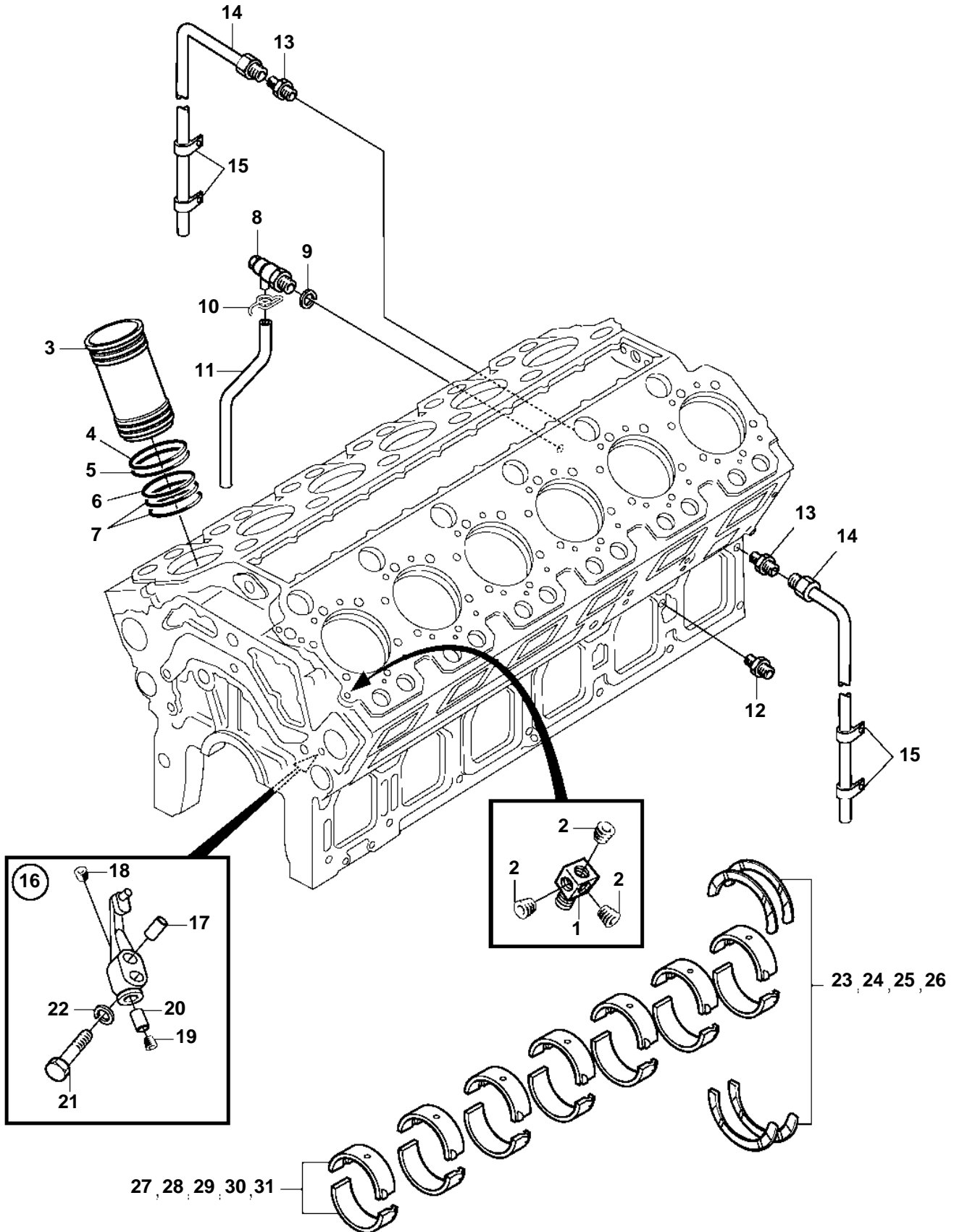


D49A-MT AUX



D49A-MT AUX

REF	PART NO.	QTY	DESCRIPTION	NOTES
1	3833268	1	Connector	
2	3836541	3	Plug	
3	3836555	12	Cylinder liner	
4	3835426	X	O-ring	TH=0.10mm
	3836290	X	O-ring	TH=0.05mm
	3836291	X	O-ring	TH=0.15mm
5	3831753	12	O-ring	
6	3831690	12	O-ring	
7	3831691	24	O-ring	
8	3831659	2	Drain cock	
9	3831596	2	Sealing washer	
10	3831614	2	Clamp	
11	889513	2	Draining hose	
12	3832324	2	Connector	
13	3832320	2	Connector	
14	3834140	2	Oil pipe	
15	3833192	4	Clip	
16	3838134	12	Nozzle	
17	3835429	12	· Set screw	
18	3835430	12	· Set screw	
19	3834821	12	· Valve	
20		12	· Nozzle	
21	3835428	12	Hollow screw	
22	3831683	12	Spring washer	
23	3834252	4	Pressure plate	
24	3834253	4	Thrust washer kit	O.S=0,25mm
25	3834254	4	Thrust washer kit	O.S=0,50mm
26	3834255	4	Pressure plate	O.S=0,75mm
27	3835432	7	Main bearing	
28	3836347	7	Main bearing	U.S=0,25mm
29	3836348	7	Main bearing	U.S=0,50mm
30	3836349	7	Main bearing	U.S=0,75mm
31	3836350	7	Main bearing	U.S=1,00mm