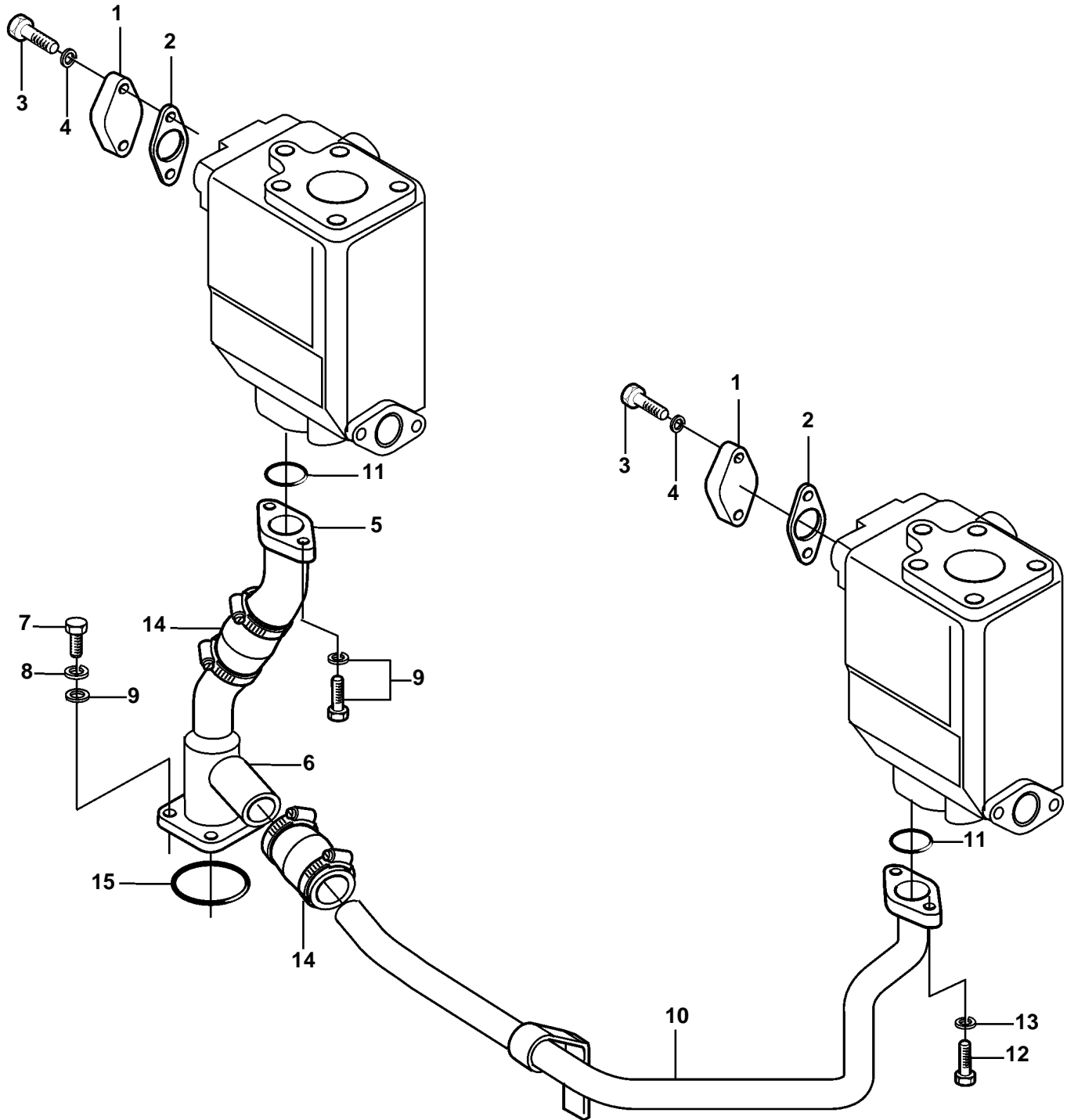


D49A-MT AUX



D49A-MT AUX

REF	PART NO.	QTY	DESCRIPTION	NOTES
1	3831665	2	Cover	
2	3831639	2	Gasket	Replaced with 3838300 for contact to water and 3837677 for contact with lubricant.
3	3832058	4	Screw	
4	3832245	4	Spring washer	
5	3834004	1	Water pipe	
6	3834003	1	Water pipe	
7	3832044	4	Screw	
8	3832233	4	Spring washer	
9	3832214	4	Washer	
10	3834002	1	Water pipe	
11	3832288	2	O-ring	
12	3832044	4	Screw	
13	3832233	4	Spring washer	
14	3831539	2	Clutch	
15	3831971	1	O-ring	