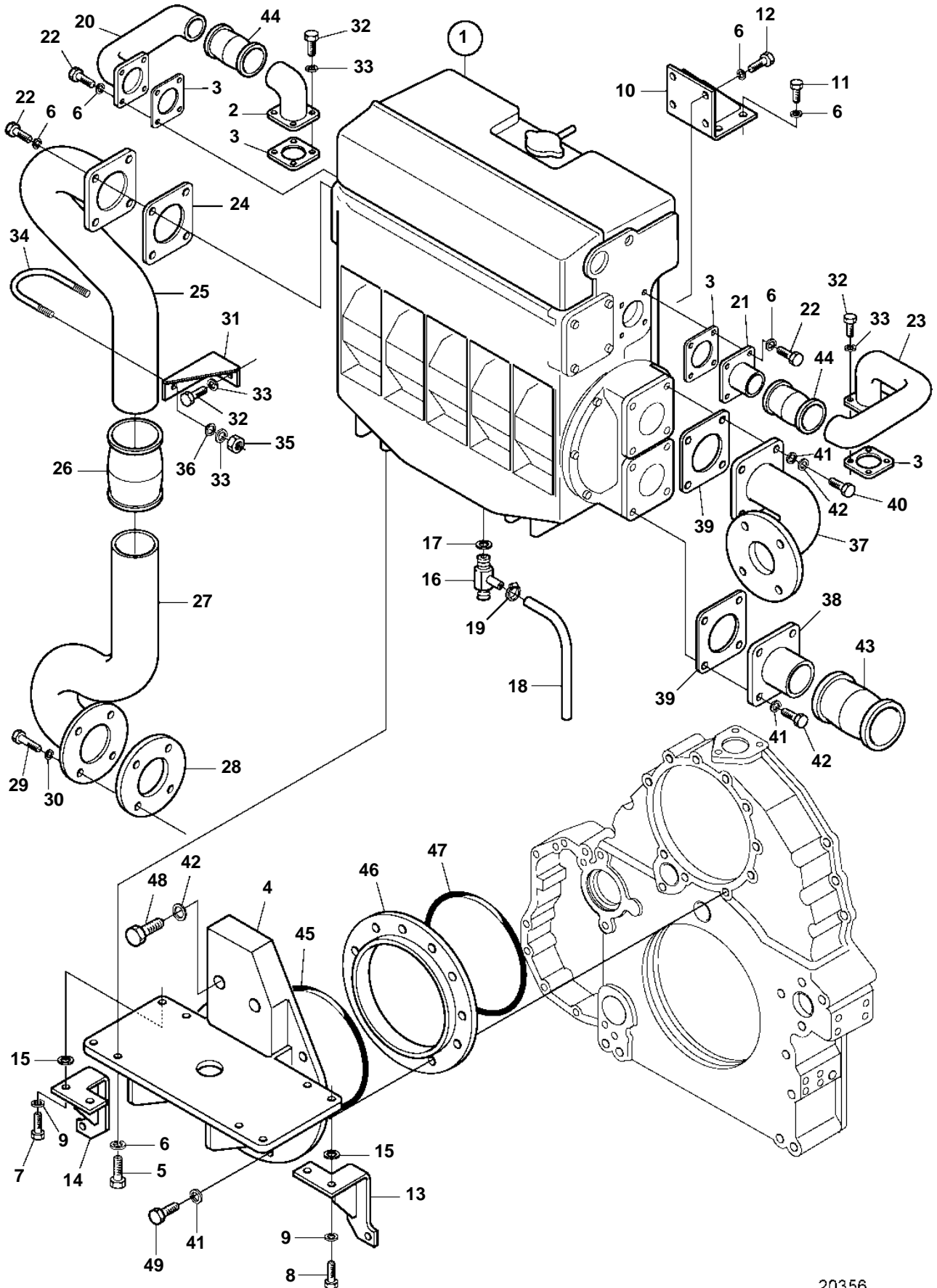


D49A-MT AUX



20356

D49A-MT AUX

REF	PART NO.	QTY	DESCRIPTION	SEE SEC.
1	3838734	1	Heat exchanger	
				7128
2	3835688	1	Water pipe	
3	3807064	4	Gasket	
4	3838738	1	Bracket	
5	3831605	4	Screw	
6	3832245	16	Spring washer	
7	3832108	3	Screw	
8	3838741	1	Screw	
9	3832245	4	Spring washer	
10	3838742	1	Stay	
11	3832065	2	Screw	
12	970970	2	Screw	
13	3838743	1	Bracket	
14	3838744	1	Bracket	
15	3832218	4	Washer	
16	3831659	1	Drain cock	
17	3831596	1	Sealing washer	
18	3831619	1	Drain pipe	
19	3831614	1	Clamp	
20	3838746	1	Water pipe	
21	3838747	1	Water pipe	
22	3831605	8	Screw	
23	3838748	1	Water pipe	
24	3838749	1	Gasket	
25	3838750	1	Water pipe	
26	3838751	1	Clutch	
27	3838752	1	Water pipe	
28	3836664	1	Gasket	
29	3831557	4	Screw	
30	3832282	4	Spring washer	
31	3838753	1	Bracket	
32	3832047	10	Screw	
33	3832233	12	Spring washer	
34	3838754	1	Screw	
35	3832196	2	Lock nut	
36	3832214	2	Washer	
37	3838755	1	Water pipe	
38	3838756	1	Water pipe	
39	3838757	2	Gasket	
40	970970	8	Screw	
41	3832245	15	Spring washer	
42	3832218	10	Washer	
43	3838758	1	Clutch	
44	3833296	2	Clutch	
45	3835673	1	O-ring	
46	3835674	1	Spacer ring	
47	3835675	1	O-ring	
48	3832089	2	Screw	
49	3832065	7	Screw	