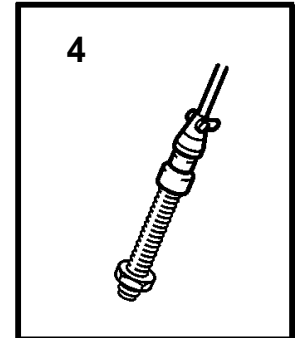
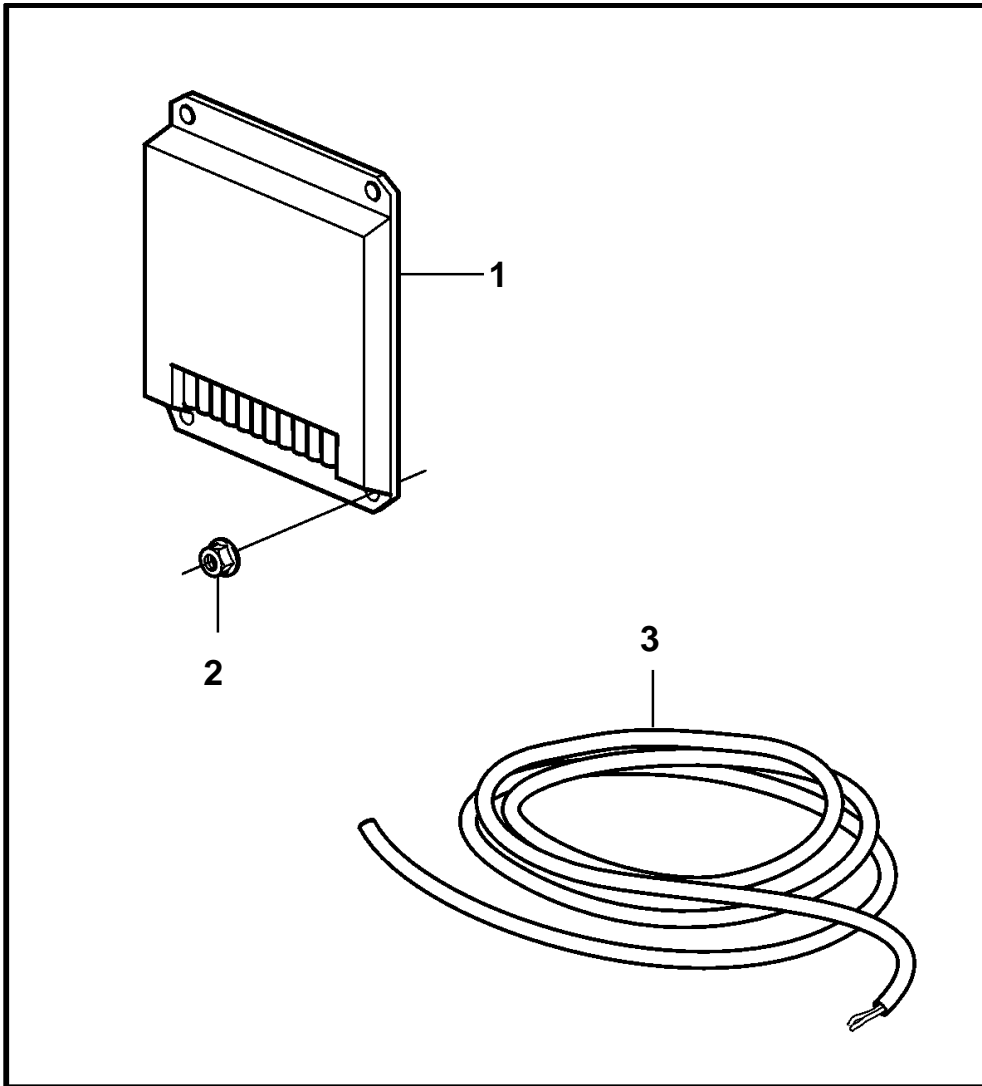


D49A-MT AUX, D49A-MS AUX



19504

D49A-MT AUX, D49A-MS AUX

REF	PART NO.	QTY	DESCRIPTION	NOTES
1	881665	1	Control unit	
2	963105	4	Nut	
3	968831	1	Cable	L=0,5m
	968831	1	Cable	L=2,0m
4	863618	1	Impulse sensor	GAC