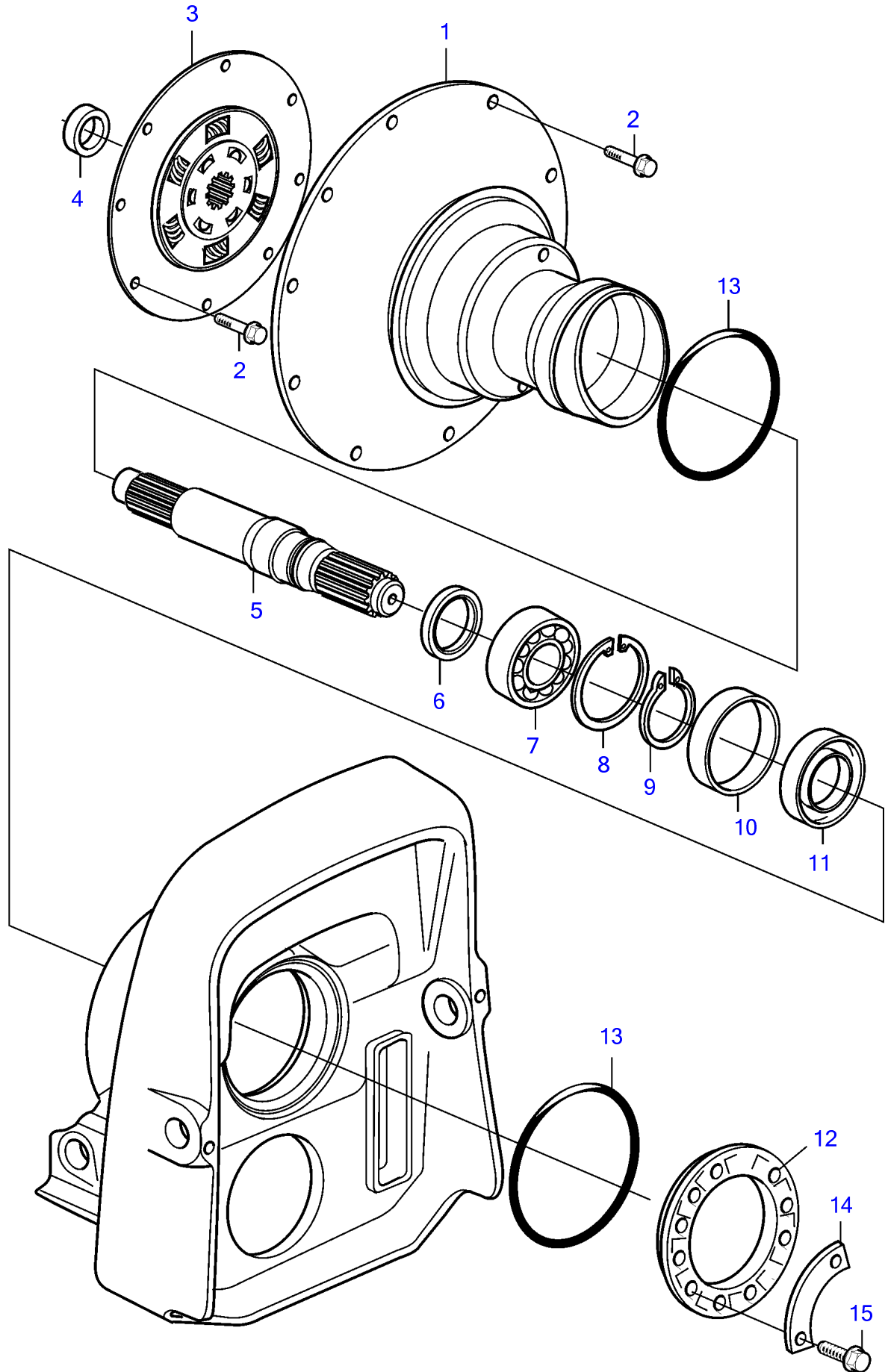


D4-210A-A, D4-225I-B, D4-225A-C, D4-225A-D, D4-260A-A, D4-260A-B, D4-260A-C, D4-260A-D, D4-300A-A, D4-300A-C, D4-300A-D



26127

D4-210A-A, D4-225I-B, D4-225A-C, D4-225A-D, D4-260A-A, D4-260A-B, D4-260A-C, D4-260A-D, D4-300A-A, D4-300A-C, D4-300A-D

REF	PART NO.	QTY	DESCRIPTION	NOTES
1	3589844	1	Flywheel housing	Replaced by 21201104
	21201104	1	Flywheel housing	
2	946752	18	Flange screw	L=35mm
3	21424060	1	Flexible coupling	SN-2004032573
	21581138	1	Flexible coupling	SN2004032574-
4	888264	1	Bushing	
5	21324794	1	Shaft	
6	6842273	1	Lip seal	
7	184841	1	Ball bearing	
8	914533	1	Snap ring	
9	914462	1	Snap ring	
10	888545	1	Bushing	
11	958860	1	Sealing ring	
12	873048	1	Tensioning ring	
13	813967	2	Rubber ring	
14	806624	3	Striker plate	
15	191844	6	Hexagon screw	