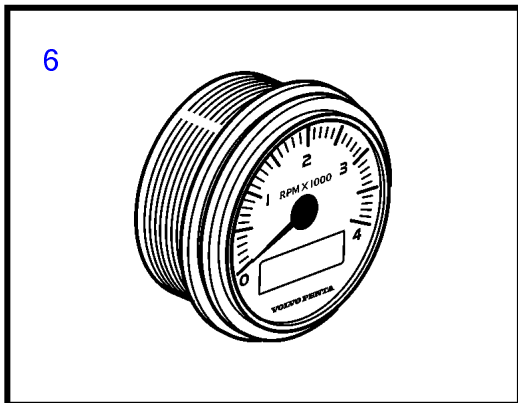
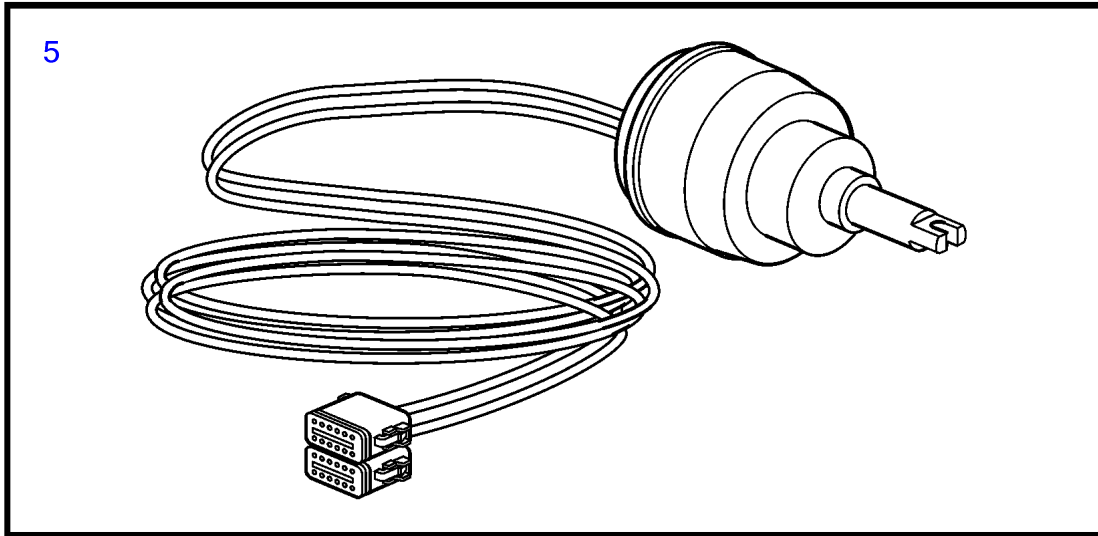
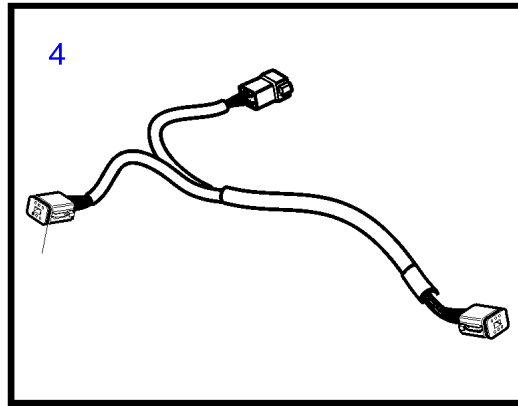
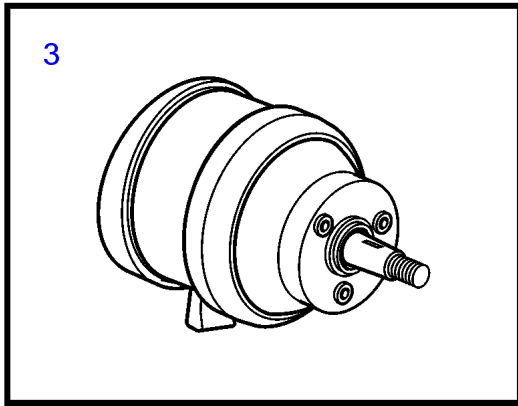
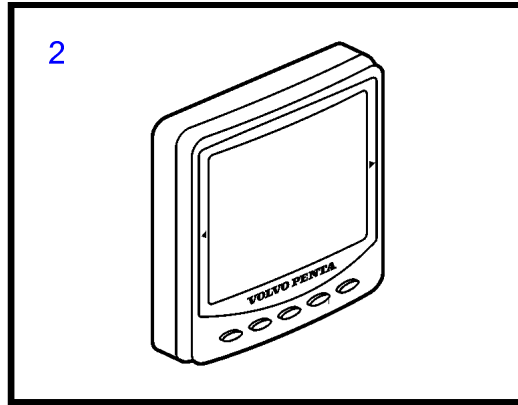
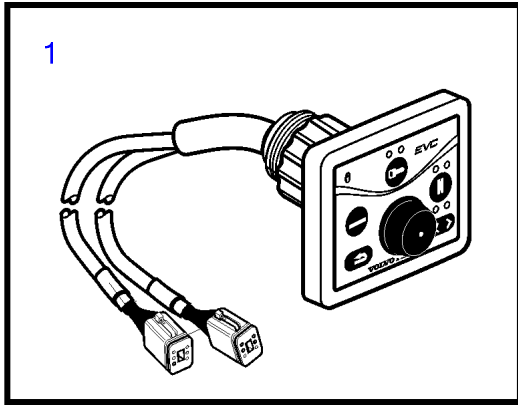


D4-260D-B, D4-300D-A



D4-260D-B, D4-300D-A

REF	PART NO.	QTY	DESCRIPTION	SEE SEC.	NOTES
1	3594969	1	Control panel		
2	3884818	1	Display		
3	3841280	1	Steering wheel adjus		
4	3588206	1	Cable kit, y-split		Multilink.
5	3808380	1	Kit		
6		1	Tachometer	22157	