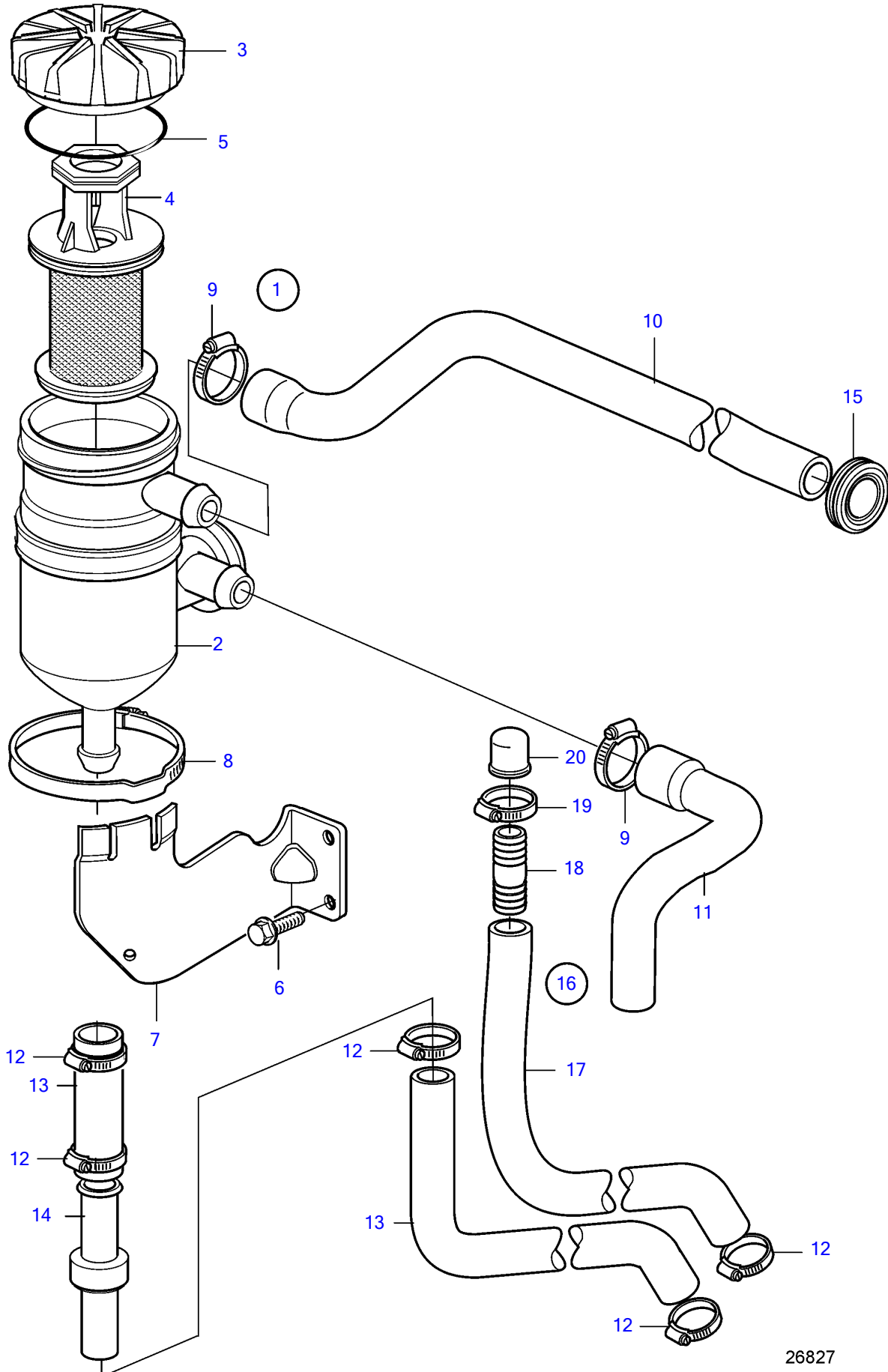


D4-180I-B, D4-180I-C, D4-180I-D, D4-180I-E, D4-210A-A, D4-210I-A, D4-210I-B, D4-225I-B, D4-225A-C, D4-225A-D, D4-225I-C, D4-225I-D, D4-260A-A, D4-260A-B, D4-260A-C, D4-260A-D, D4-260D-B, D4-260D-C, D4-260D-D, D4-260I-A, D4-260I-B, D4-260I-C, D4-260I-D, D4-300A-A, D4-300A-C, D4-300A-D, D4-300D-A, D4-300D-C, D4-300I-A, D4-300I-C, D4-300I-D, D4-225A-E, D4-225I-E, D4-260A-E, D4-260D-E, D4-260I-E, D4-300A-E, D4-300D-E, D4-300D-D, D4-300I-E



26827

D4-180I-B, D4-180I-C, D4-180I-D, D4-180I-E, D4-210A-A, D4-210I-A, D4-210I-B, D4-225I-B, D4-225A-C, D4-225A-D, D4-225I-C, D4-225I-D, D4-260A-A, D4-260A-B, D4-260A-C, D4-260A-D, D4-260D-B, D4-260D-C, D4-260D-D, D4-260I-A, D4-260I-B, D4-260I-C, D4-260I-D, D4-300A-A, D4-300A-C, D4-300A-D, D4-300D-A, D4-300D-C, D4-300I-A, D4-300I-C, D4-300I-D, D4-225A-E, D4-225I-E, D4-260A-E, D4-260D-E, D4-260I-E, D4-300A-E, D4-300D-E, D4-300D-D, D4-300I-E

| REF | PART NO. | QTY | DESCRIPTION | NOTES |
|-----|----------|-----|------------------|---|
| 1 | 3584144 | 1 | Filter | |
| 2 | | 1 | • Reservoir | |
| 3 | | 1 | • Lock | |
| 4 | 3584145 | 1 | • Insert | |
| 5 | 3584461 | 1 | • • O-ring | |
| 6 | 21223140 | 1 | Bracket | |
| 7 | 946440 | 2 | Flange screw | |
| 8 | 3586117 | 1 | Hose clamp | |
| 9 | 994559 | 2 | Hose clamp | |
| 10 | 3588926 | 1 | Hose | |
| 11 | 3584139 | 1 | Hose | |
| 12 | 943471 | 5 | Hose clamp | |
| 13 | 3849236 | 1 | Hose assembly | Order also non retur valve and hose clamp., (3885542) |
| 14 | 3887102 | 1 | Check valve | |
| 15 | 984951 | 1 | Grommet | |
| 16 | 3849236 | 1 | Hose assembly | |
| 17 | 3885542 | 1 | • Hose | |
| 18 | 991127 | 1 | • Hose nipple | |
| 19 | 978174 | 1 | • Hose clamp | |
| 20 | 842235 | 1 | • Cardboard tube | |