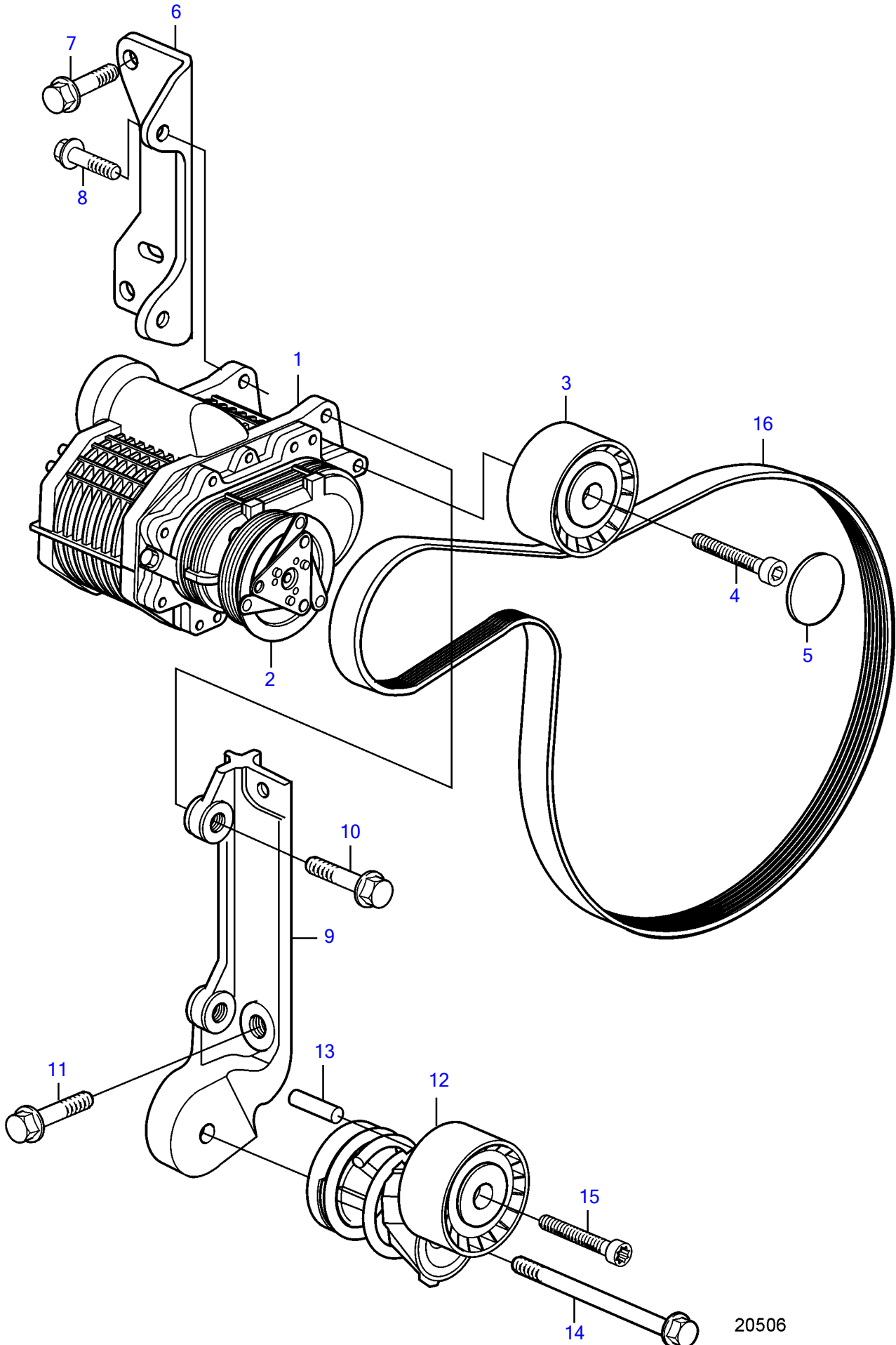


D4-260A-A, D4-260A-B, D4-260A-C, D4-260A-D, D4-260D-B, D4-260D-C, D4-260D-D, D4-260A-E, D4-260D-E



20506

D4-260A-A, D4-260A-B, D4-260A-C, D4-260A-D, D4-260D-B, D4-260D-C, D4-260D-D, D4-260A-E, D4-260D-E

REF	PART NO.	QTY	DESCRIPTION	SEE SEC.	NOTES
1	3803850	1	Compressor, exch		
2	3581724	1	Solenoid clutch		12V, Shims are included
3	3848896	1	Idler pulley		SN-2004017297, Replaced by 21280913
	21280913	1	Idler pulley		SN-2004017297
			• Installation Instruction 7749376	7749376-EN	Idler Pulley
3	3847482	1	Idler pulley		SN2004017298-
4	959224	1	Hex. socket screw		
5		1	Protecting cover		
6	3582971	1	Bracket		
7	946472	2	Flange screw		
8	946329	2	Flange screw		
9	3588069	1	Bracket		
10	965186	2	Flange screw		
11	946472	2	Flange screw		
12	21678750	1	Belt tensioner		
13	950542	1	Pin		
14	947790	1	Flange screw		
15		1	Allen head screw		
16	21407026	1	Belt		

7746200-25-7252

20506

Upd:2014-07-03

D4-180I-B, D4-180I-C, D4-180I-D, D4-180I-E, D4-210A-A, D4-225A-B, D4-210I-A, D4-210I-B, D4-225I-B, D4-225A-C, D4-225A-D, D4-225I

**VOLVO**  
**PENTA**