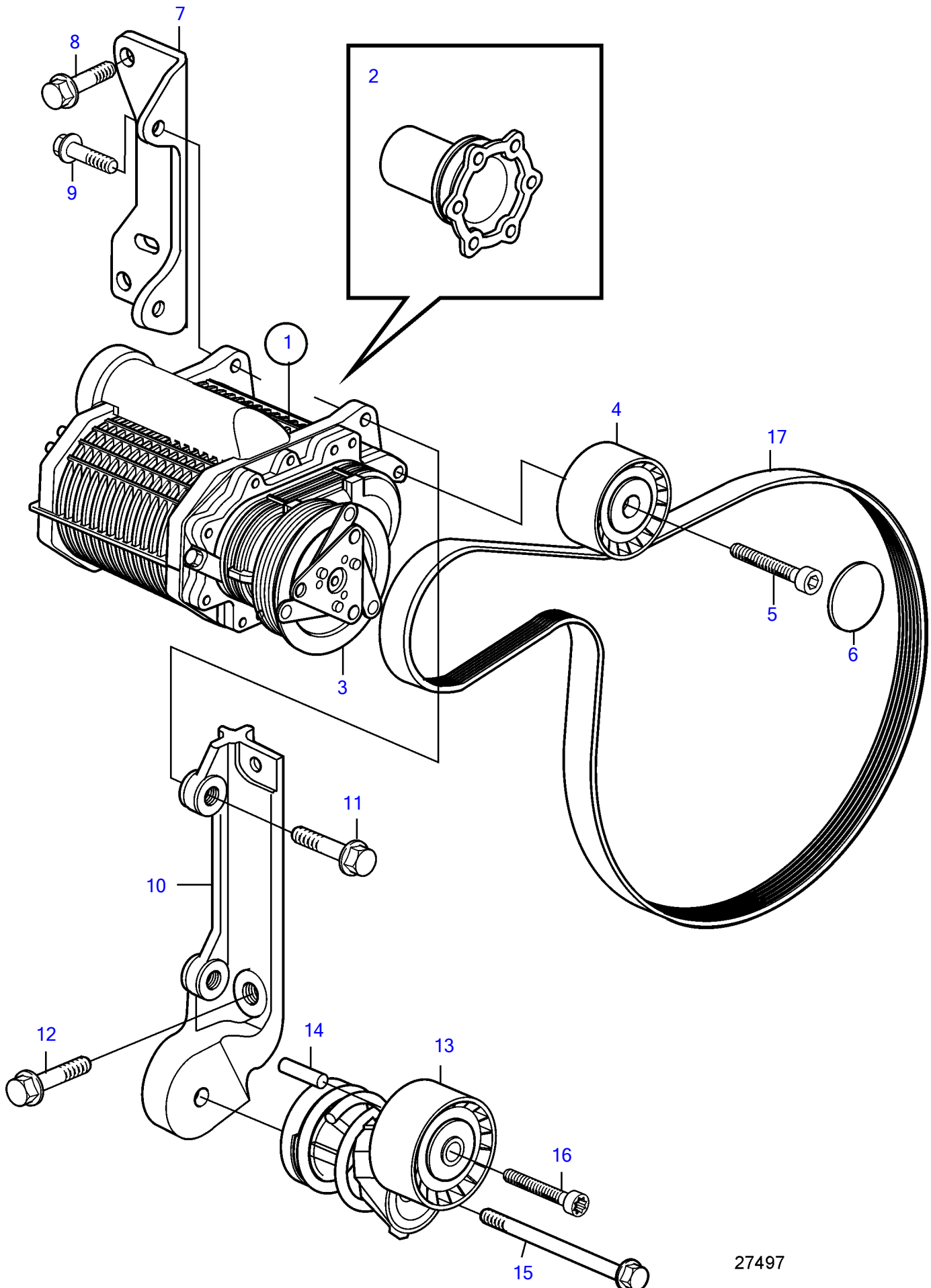


D4-300A-A, D4-300A-C, D4-300A-D, D4-300D-A, D4-300D-C, D4-300A-E, D4-300D-E, D4-300D-D



27497

D4-300A-A, D4-300A-C, D4-300A-D, D4-300D-A, D4-300D-C, D4-300A-E, D4-300D-E, D4-300D-D

REF	PART NO.	QTY	DESCRIPTION	SEE SEC.	NOTES
1	3801174	1	Compressor, exch		
2	22409091	1	• Spindle		
3	3888270	1	Pulley		12V, Shims are included
4	3848896	1	Idler pulley		SN-2004017297, Replaced by 21280913
	21280913	1	Idler pulley		SN-2004017297
			• Installation Instruction 7749376	7749376-EN	Idler Pulley
4	3847482	1	Idler pulley		SN2004017298-
5	959224	1	Hex. socket screw		
6		1	Protecting cover		
7	3582971	1	Bracket		
8	946472	2	Flange screw		
9	946329	2	Flange screw		
10	3588069	1	Bracket		
11	965186	2	Flange screw		
12	946472	2	Flange screw		
13	21678750	1	Belt tensioner		
14	950542	1	Pin		
15	947790	1	Flange screw		
16		1	Allen head screw		
17	21405493	1	Belt		

7746200-25-21923

27497

Upd:2014-07-03