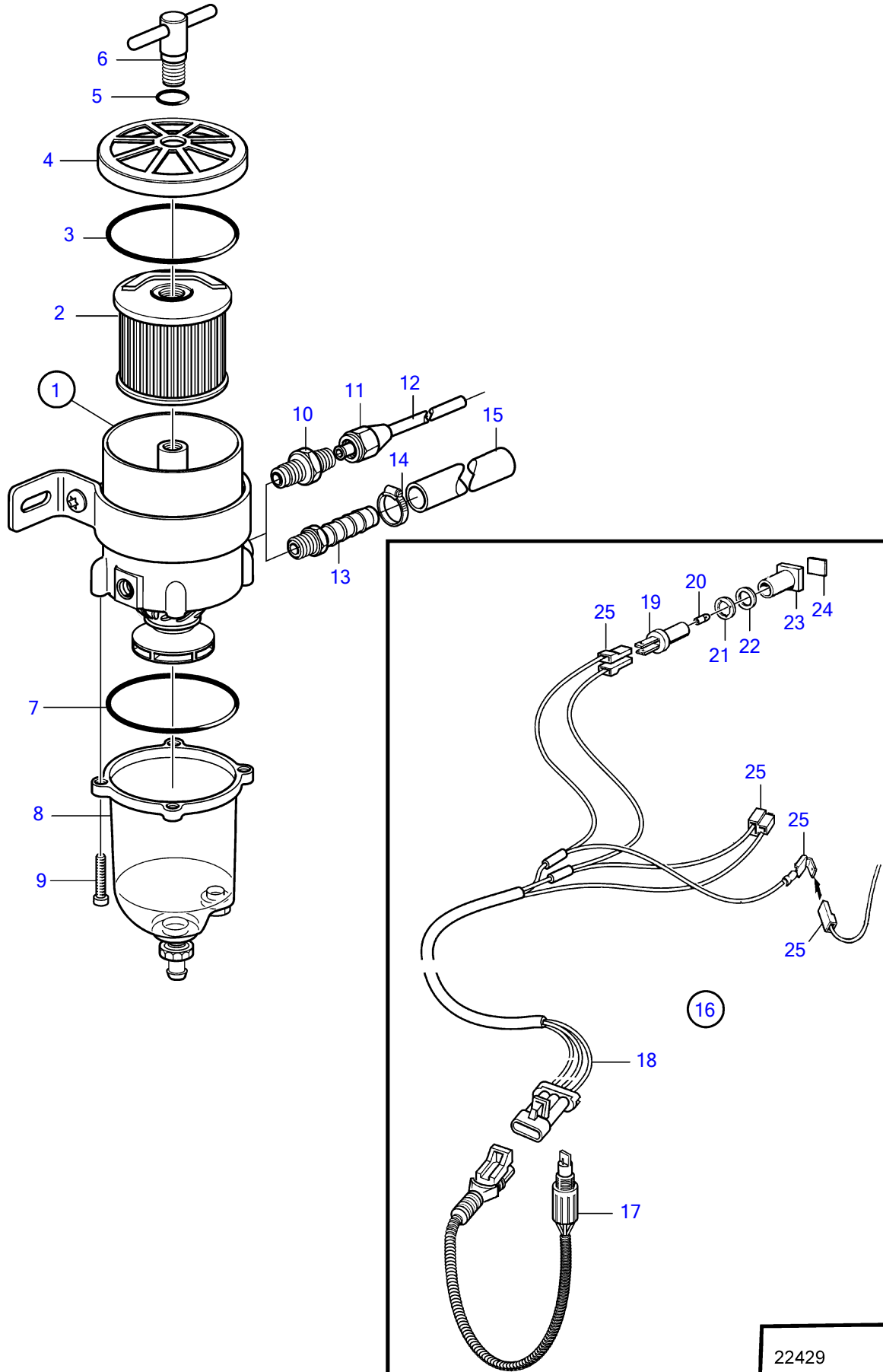


D4-180I-B, D4-180I-C, D4-180I-D, D4-180I-E, D4-210A-A, D4-225A-B, D4-210I-A, D4-210I-B, D4-225I-B, D4-225A-C, D4-225A-D, D4-225I-C, D4-225I-D, D4-260A-A, D4-260A-B, D4-260A-C, D4-260A-D, D4-260D-B, D4-260D-C, D4-260D-D, D4-260I-A, D4-260I-B, D4-260I-C, D4-260I-D, D4-300A-A, D4-300A-C, D4-300A-D, D4-300D-A, D4-300D-C, D4-300I-A, D4-300I-C, D4-300I-D, D4-225A-E, D4-225I-E, D4-260A-E, D4-260D-E, D4-260I-E, D4-300A-E, D4-300D-E, D4-300D-D, D4-300I-E



D4-180I-B, D4-180I-C, D4-180I-D, D4-180I-E, D4-210A-A, D4-225A-B, D4-210I-A, D4-210I-B, D4-225I-B, D4-225A-C, D4-225A-D, D4-225I-C, D4-225I-D, D4-260A-A, D4-260A-B, D4-260A-C, D4-260A-D, D4-260D-B, D4-260D-C, D4-260D-D, D4-260I-A, D4-260I-B, D4-260I-C, D4-260I-D, D4-300A-A, D4-300A-C, D4-300A-D, D4-300D-A, D4-300D-C, D4-300I-A, D4-300I-C, D4-300I-D, D4-225A-E, D4-225I-E, D4-260A-E, D4-260D-E, D4-260I-E, D4-300A-E, D4-300D-E, D4-300D-D, D4-300I-E

| REF | PART NO. | QTY | DESCRIPTION | SEE SEC. | NOTES |
|-----|----------|-----|------------------------|--------------|--|
| 1 | 877762 | 1 | Fuel filter | | (861143) |
| | | | • Bulletin P-44-5-18 | P-44-5-18-EN | Water in Fuel Alarm for fuel pre-filters |
| 2 | 1147147 | 1 | • Fuel filter insert | | 2 mikron |
| | 861014 | 1 | • Insert | | 10 mikron, Std |
| | 3581760 | 1 | • Insert | | 30 mikron |
| 3 | 838504 | 1 | • Gasket | | |
| 4 | | 1 | • Lock | | |
| 5 | 838505 | 1 | • O-ring | | |
| 6 | | 1 | • Handle | | |
| 7 | 3838861 | 1 | • Gasket | | |
| 8 | 3838848 | 1 | • Bowl | | |
| 9 | 950024 | 4 | • Cross recessed screw | | |
| 10 | 954337 | 2 | Nipple | | |
| 11 | 954323 | 2 | Fitting nut | | |
| 12 | 1140062 | 2 | Copper tube | | |
| 13 | 3825000 | 2 | Hose nipple | | |
| 14 | 961664 | 2 | Hose clamp | | |
| 15 | 861057 | X | Fuel hose | | 3/8" |
| | | | • Bulletin P-23-4-4 | P-23-4-4-EN | Fuel Hose P/N 861057 |
| 16 | 1140724 | 1 | Level guard | | |
| 17 | 3588916 | 1 | • Alarm kit | | |
| 18 | 881774 | 1 | • Wiring harness | | |
| 19 | 808175 | 1 | • Lamp socket | | |
| 20 | 19923 | 1 | • Bulb | | 12V, 2W |
| | 182059 | 1 | • Bulb | | 24V, 3W |
| 21 | 967583 | 1 | • Retainer | | |
| 22 | 829714 | 1 | • Sealing ring | | |
| 23 | 838455 | 1 | • Retainer | | |
| 24 | 872591 | 1 | • Symbol strip | | |
| 25 | | X | • cables and terminals | 1963 | |