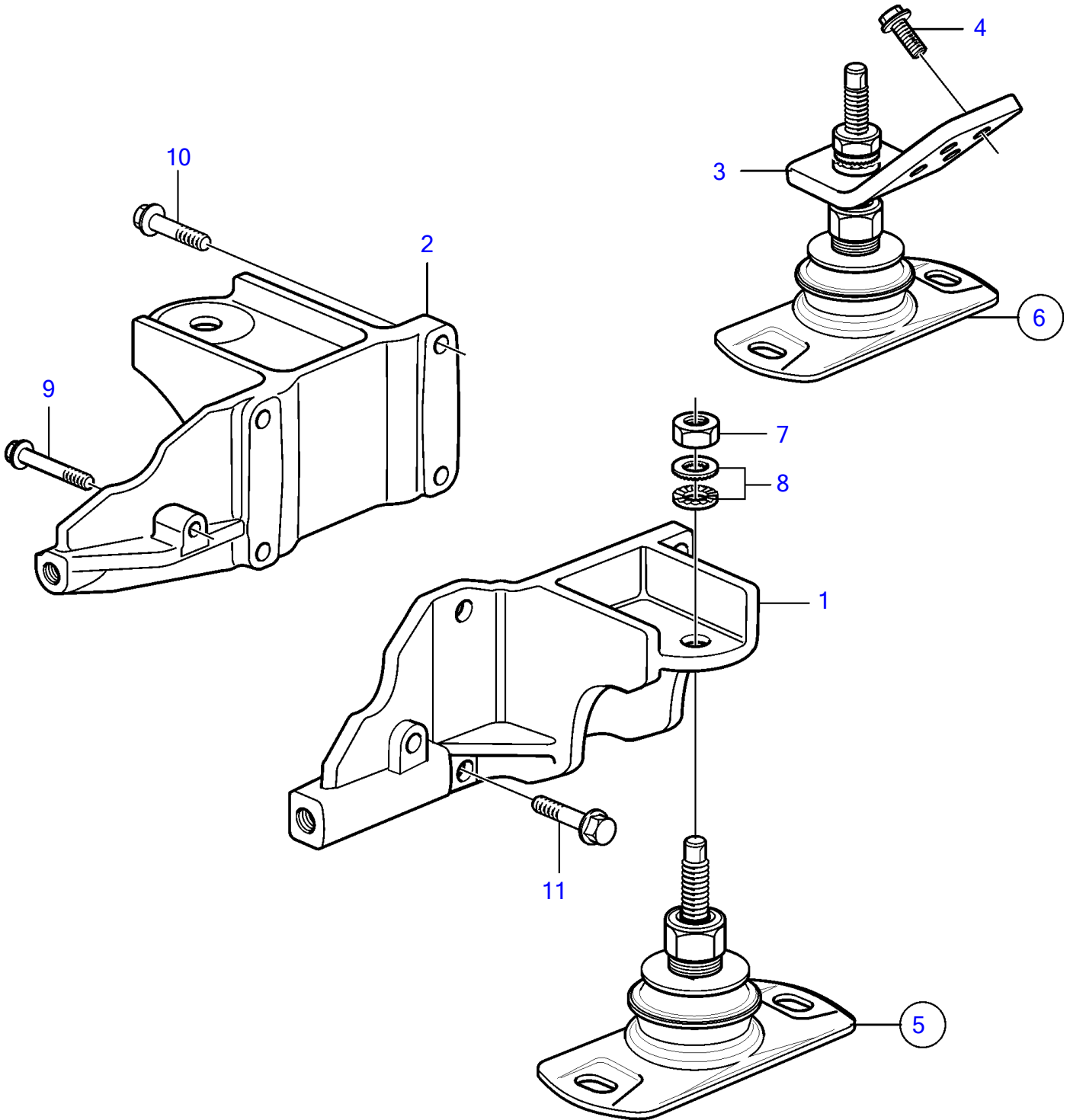


D4-180I-B, D4-180I-C, D4-180I-D, D4-180I-E, D4-210I-A, D4-210I-B, D4-225I-B, D4-225I-C, D4-225I-D, D4-260D-B, D4-260D-C, D4-260I-A, D4-260I-B, D4-260I-C, D4-260I-D, D4-300D-A, D4-300D-C, D4-300I-A, D4-300I-C, D4-300I-D, D4-225I-E, D4-260I-E, D4-300D-D, D4-300I-E



26722

D4-180I-B, D4-180I-C, D4-180I-D, D4-180I-E, D4-210I-A, D4-210I-B, D4-225I-B, D4-225I-C, D4-225I-D, D4-260D-B, D4-260D-C, D4-260I-A, D4-260I-B, D4-260I-C, D4-260I-D, D4-300D-A, D4-300D-C, D4-300I-A, D4-300I-C, D4-300I-D, D4-225I-E, D4-260I-E, D4-300D-D, D4-300I-E

REF	PART NO.	QTY	DESCRIPTION	SEE SEC.	NOTES
1	3583516	1	Engine bracket		
2	3807719	1	Engine bracket		S.B, Front
3	3583620	2	Engine bracket		Rear
4	965192	8	Flange screw		L=40mm
5	3595043	2	Rubber cushion		
			• Bulletin P-21-8-1	P-21-8-1-EN	Comfort Engine Suspension
			• Bulletin P-08-2-2	P-08-2-2-EN	Measuring Gauge for Rubber Mounts
6	3595043	2	Rubber cushion		
			• Bulletin P-21-8-1	P-21-8-1-EN	Comfort Engine Suspension
			• Bulletin P-08-2-2	P-08-2-2-EN	Measuring Gauge for Rubber Mounts
7	955786	1	• Hexagon nut		
8	847766	1	• Lock washer		
9	965188	1	Flange screw		L=70mm
10	965192	8	Flange screw		L=40mm
11	965186	1	Flange screw		L=50mm