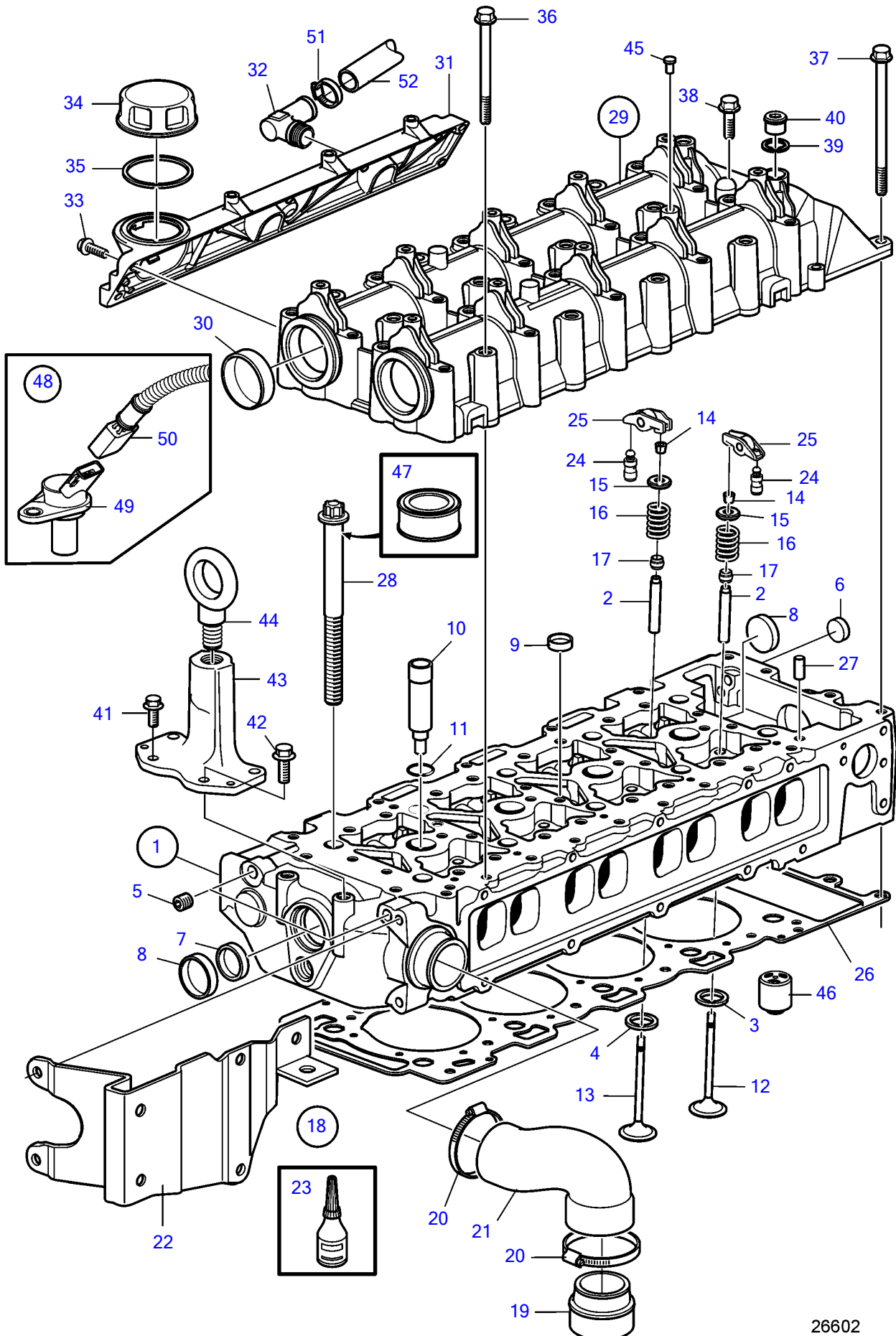


D4-180I-B, D4-180I-C, D4-180I-D, D4-180I-E, D4-210A-A, D4-210I-A, D4-210I-B, D4-225I-B, D4-225A-C, D4-225A-D, D4-225I-C, D4-225I-D, D4-260A-A, D4-260A-B, D4-260A-C, D4-260A-D, D4-260D-B, D4-260D-C, D4-260D-D, D4-260I-A, D4-260I-B, D4-260I-C, D4-260I-D, D4-225A-E, D4-225I-E, D4-260A-E, D4-260D-E, D4-260I-E



26602

D4-180I-B, D4-180I-C, D4-180I-D, D4-180I-E, D4-210A-A, D4-210I-A, D4-210I-B, D4-225I-B, D4-225A-C, D4-225A-D, D4-225I-C, D4-225I-D, D4-260A-A, D4-260A-B, D4-260A-C, D4-260A-D, D4-260D-B, D4-260D-C, D4-260D-D, D4-260I-A, D4-260I-B, D4-260I-C, D4-260I-D, D4-225A-E, D4-225I-E, D4-260A-E, D4-260D-E, D4-260I-E

REF	PART NO.	QTY	DESCRIPTION	SEE SEC.	NOTES
1	3801255	1	Cylinder head		(3803887)
2	3580892	16	• Valve guide		
3	3581861	8	• Valve seat, intake		
4	3581862	8	• Valve seat, exhaust		
5	990828	4	• Plug		
6	3588502	2	• Expansion plug		
7	24426721	2	• Expansion plug		
8	8131707	2	• Cap plug		
9	3583579	7	• Expansion plug		
10	889970	4	• Sleeve		
11	3583753	4	• O-ring		
12	3884010	8	• Inlet valve		
13	3884015	8	• Exhaust valve		
14	861703	32	• Valve cotter		
15	3889240	16	• Valve spring washer		
16	3581889	16	• Valve spring		
17	877072	16	Valve stem seal		
18	21181057	1	Connector kit		For new cylinder head in combination with heat exchanger without pipe connection.
19	3808092	1	• Pipe connection		
20	943479	2	• Hose clamp		
21	3593996	1	• Hose		
22	21368510	1	• Bracket		
23	1161370	1	• Adhesive		50ml
24	3581894	16	Rocker arm		
25	3581893	16	Cam		
26	3581868	1	Cylinder head gasket		
27	950564	2	Pin		
28	3581866	10	Six point screw		SN-2004017198
	21384459	10	Six point screw		SN2004017199-
29	3583872	1	Valve cover		SN-2004017198, Replaced by 1pc valve cover 40005652 and 1pc camshaft kit 21138559.
	40005652	1	Valve cover		SN2004017199-
30	8130035	2	• Expansion plug		
31		1	• Cover		
32	3583959	1	• • Elbow nipple		
33	948356	5	• Flange screw		
34	1275403	1	Oil filler cap		
35	1275379	1	Gasket		
36	965182	28	Flange screw		
37	968999	3	Flange screw		
38	945444	1	Flange screw		
39	947622	2	Gasket		
40	966143	2	Plug		
41	946329	2	Flange screw		
42	946173	2	Flange screw		
43	3888143	1	Lifting bracket		
44	984458	1	Lifting eye		
45	3584061	10	Washer		
46	3582933	2	Valve		
47	3588347	X	Lubricant		25G
48	21138559	1	Sensor kit		For flywheel housing with SN2004017199- mounted on engine with SN-2004017198
49	20513343	1	• Sensor		
50	21138239	1	• Wiring harness		
51	994559	1	Hose clamp	6599	
52	190993	1	Hose		L=265mm