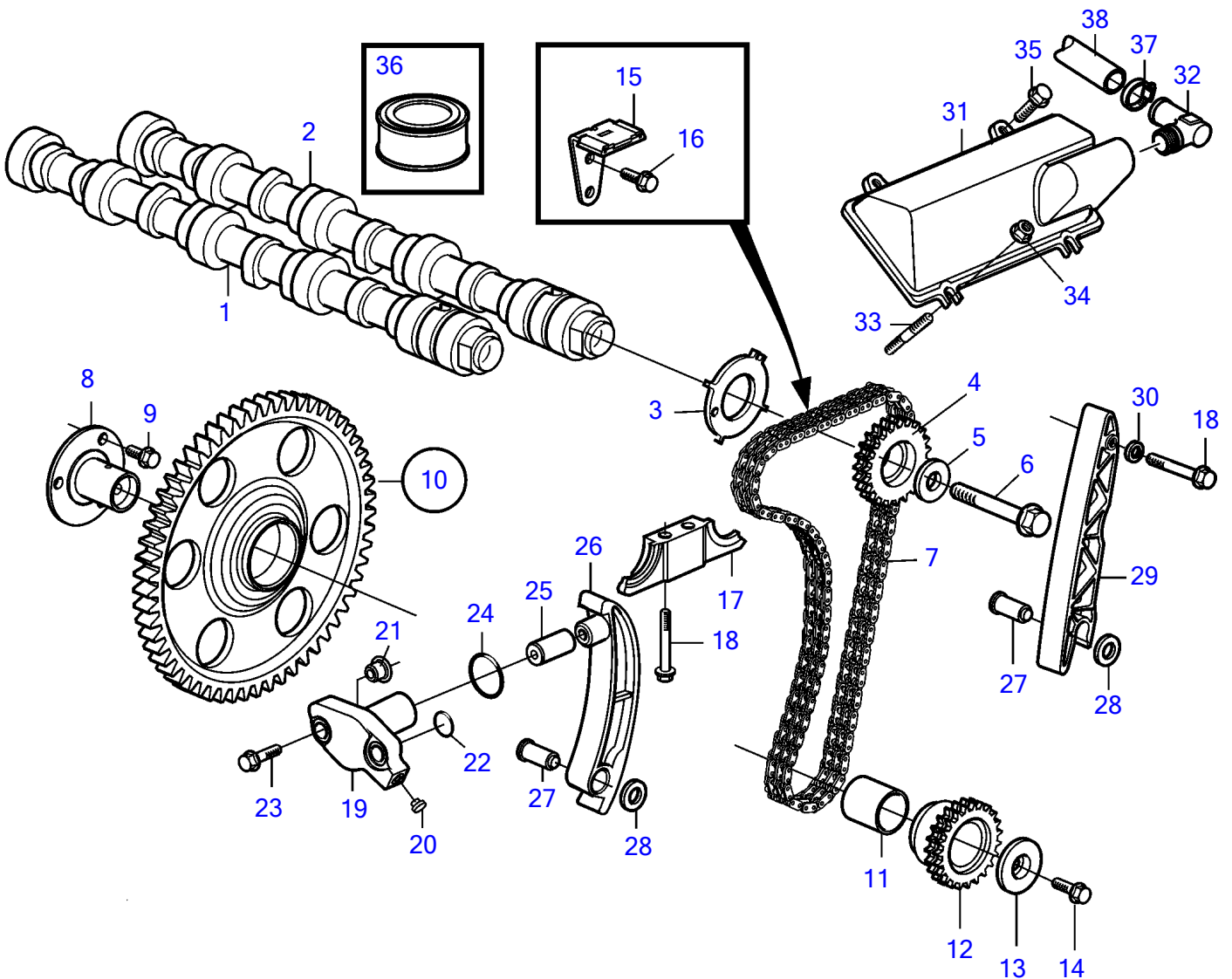


D4-180I-B, D4-180I-C, D4-180I-D, D4-180I-E, D4-210A-A, D4-210I-A, D4-210I-B, D4-225I-B, D4-225A-C, D4-225A-D, D4-225I-C, D4-225I-D, D4-260A-A, D4-260A-B, D4-260A-C, D4-260A-D, D4-260D-B, D4-260D-C, D4-260D-D, D4-260I-A, D4-260I-B, D4-260I-C, D4-260I-D, D4-300A-A, D4-300A-C, D4-300A-D, D4-300D-A, D4-300D-C, D4-300I-A, D4-300I-C, D4-300I-D, D4-225A-E, D4-225I-E, D4-260A-E, D4-260D-E, D4-260I-E, D4-300A-E, D4-300D-E, D4-300D-D, D4-300I-E



26978

D4-180I-B, D4-180I-C, D4-180I-D, D4-180I-E, D4-210A-A, D4-210I-A, D4-210I-B, D4-225I-B, D4-225A-C, D4-225A-D, D4-225I-C, D4-225I-D, D4-260A-A, D4-260A-B, D4-260A-C, D4-260A-D, D4-260D-B, D4-260D-C, D4-260D-D, D4-260I-A, D4-260I-B, D4-260I-C, D4-260I-D, D4-300A-A, D4-300A-C, D4-300A-D, D4-300D-A, D4-300D-C, D4-300I-A, D4-300I-C, D4-300I-D, D4-225A-E, D4-225I-E, D4-260A-E, D4-260D-E, D4-260I-E, D4-300A-E, D4-300D-E, D4-300D-D, D4-300I-E

REF	PART NO.	QTY	DESCRIPTION	NOTES
1	3587752	1	Camshaft, intake	
2	3587753	1	Camshaft, exhaust	
3	3582855	1	Gear	
4	3582646	2	Sprocket	
5	3583032	2	Washer	
6	984307	2	Flange screw	
7	3582642	1	Drive chain	
8	3582651	1	Hub	
9	946173	3	Flange screw	
10	3582647	1	Idler gear	
11		1	• Bushing	
12		1	• Sprocket	
13	3582652	1	Washer	
14	945444	1	Flange screw	
15	3583576	1	Guide	
16	946173	2	Flange screw	
17	3587634	1	Bracket	
18	973924	3	Flange screw	
19	3583144	1	Retainer	
20	968060	1	• Plug	
21	21113522	1	Gasket	
22	976039	1	O-ring	
23	946671	2	Flange screw	
24	975309	1	O-ring	
25	3582643	1	Tensioner	
26	3582644	1	Guide	
27	3583208	2	Shoulder screw	
28	3587354	2	Washer	
29	3583874	1	Guide	
30	964106	1	Gasket	
31	3583686	1	Cover	
32	3583959	1	• Elbow nipple	
33	953041	2	Stud	
34	945408	2	Flange nut	
35	946173	2	Flange screw	
36	3588346	X	Lubricant	500G
37	994559	1	Hose clamp	
38	190993	1	Hose	L=265mm