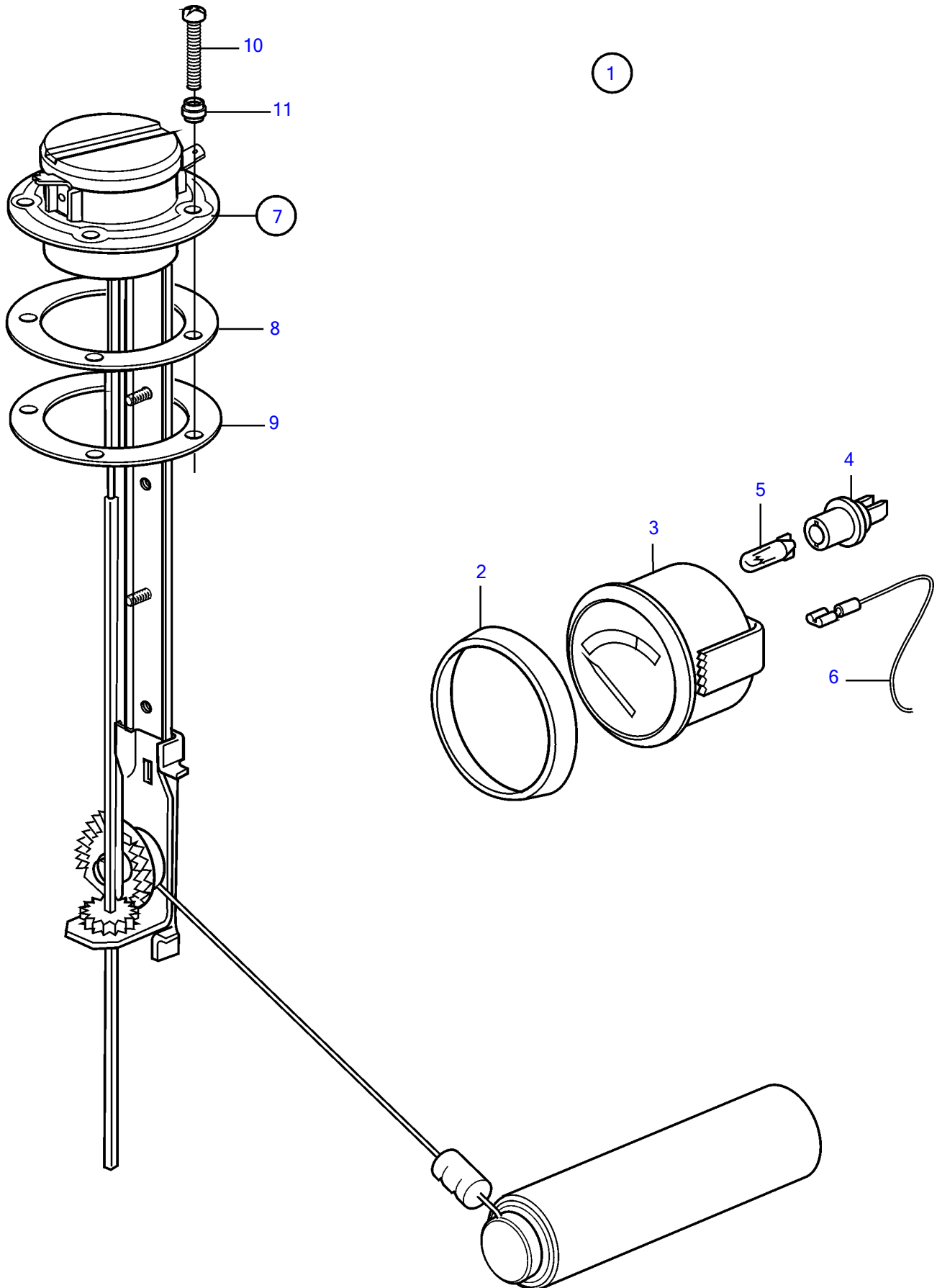


D4-180I-B, D4-180I-C, D4-180I-D, D4-180I-E, D4-210A-A, D4-225A-B, D4-210I-A, D4-210I-B, D4-225I-B, D4-225A-C, D4-225A-D, D4-225I-C, D4-225I-D, D4-260A-A, D4-260A-B, D4-260A-C, D4-260A-D, D4-260D-B, D4-260D-C, D4-260D-D, D4-260I-A, D4-260I-B, D4-260I-C, D4-260I-D, D4-300A-A, D4-300A-C, D4-300A-D, D4-300D-A, D4-300D-C, D4-300I-A, D4-300I-C, D4-300I-D, D4-225A-E, D4-225I-E, D4-260A-E, D4-260D-E, D4-260I-E, D4-300A-E, D4-300D-E, D4-300D-D, D4-300I-E



D4-180I-B, D4-180I-C, D4-180I-D, D4-180I-E, D4-210A-A, D4-225A-B, D4-210I-A, D4-210I-B, D4-225I-B, D4-225A-C, D4-225A-D, D4-225I-C, D4-225I-D, D4-260A-A, D4-260A-B, D4-260A-C, D4-260A-D, D4-260D-B, D4-260D-C, D4-260D-D, D4-260I-A, D4-260I-B, D4-260I-C, D4-260I-D, D4-300A-A, D4-300A-C, D4-300A-D, D4-300D-A, D4-300D-C, D4-300I-A, D4-300I-C, D4-300I-D, D4-225A-E, D4-225I-E, D4-260A-E, D4-260D-E, D4-260I-E, D4-300A-E, D4-300D-E, D4-300D-D, D4-300I-E

REF	PART NO.	QTY	DESCRIPTION	SEE SEC.	NOTES
1	(1140462)	1	Water level gauge ki		(858881), Obsolete part
2	858643	1	• Front ring		
3	(863942)	1	• Water level gauge		Obsolete part
4	863945	1	• • Lamp socket		Use white bulb 19923 and socket 808175 for earlier gauges.
5	863946	1	• • Bulb		Use white bulb 19923 and socket 808175 for earlier gauges.
6		X	• Wiring harness	1963	
7	834389	1	• Tank sensor		
8	89865	1	• • Gasket		
9	834480	1	• • Flange		
10	969407	4	• • 6 point socket screw		(956078)
	969409	1	• • 6 point socket screw		
11	834481	5	• • Gasket		