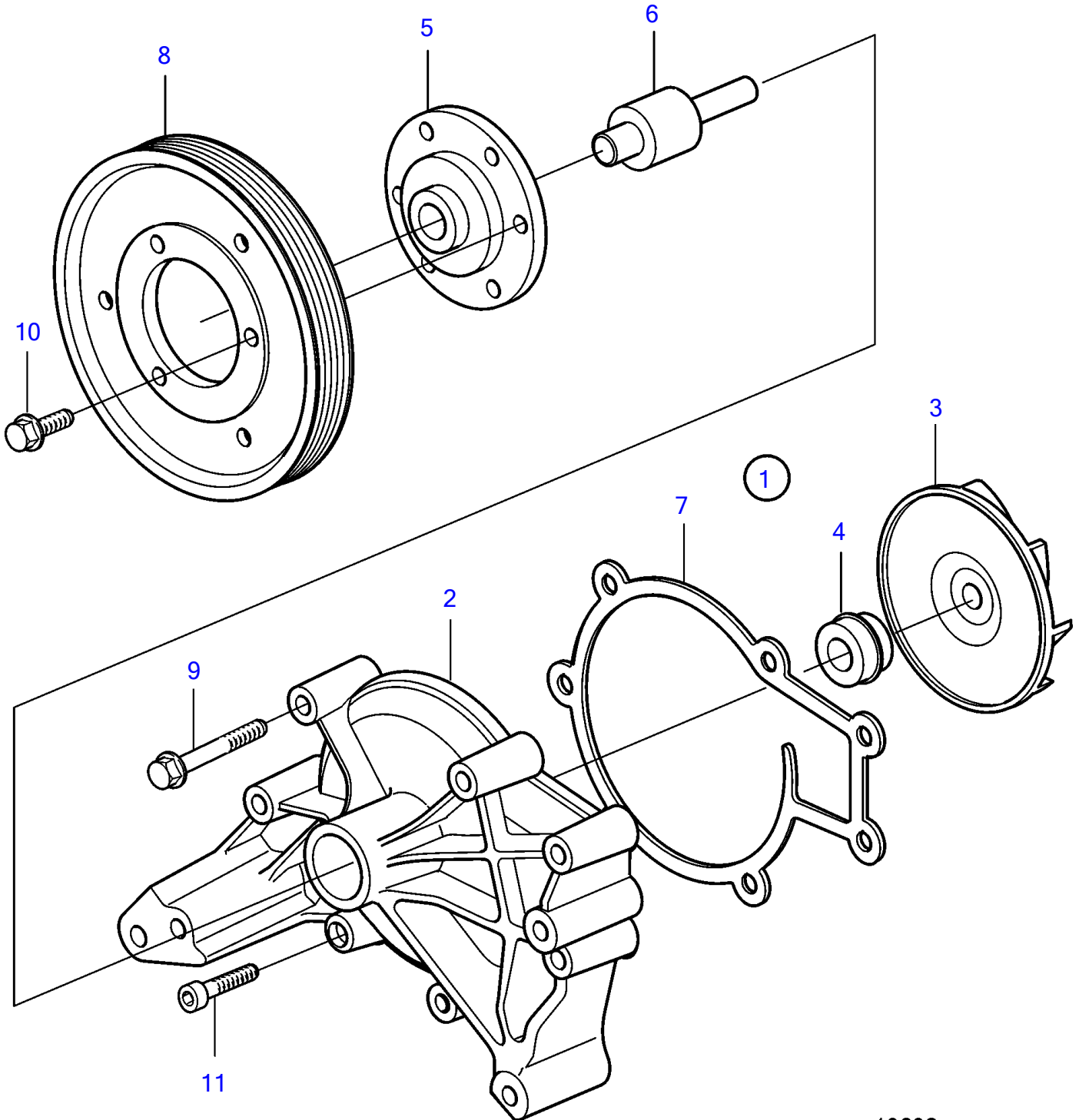


D4-180I-B, D4-180I-C, D4-180I-D, D4-180I-E, D4-210A-A, D4-210I-A, D4-210I-B, D4-225I-B, D4-225A-C, D4-225A-D, D4-225I-C, D4-225I-D, D4-260A-A, D4-260A-B, D4-260A-C, D4-260A-D, D4-260D-B, D4-260D-C, D4-260D-D, D4-260I-A, D4-260I-B, D4-260I-C, D4-260I-D, D4-300A-A, D4-300A-C, D4-300A-D, D4-300D-A, D4-300D-C, D4-300I-A, D4-300I-C, D4-300I-D, D4-225A-E, D4-225I-E, D4-260A-E, D4-260D-E, D4-260I-E, D4-300A-E, D4-300D-E, D4-300D-D, D4-300I-E



19832

D4-180I-B, D4-180I-C, D4-180I-D, D4-180I-E, D4-210A-A, D4-210I-A, D4-210I-B, D4-225I-B, D4-225A-C, D4-225A-D, D4-225I-C, D4-225I-D, D4-260A-A, D4-260A-B, D4-260A-C, D4-260A-D, D4-260D-B, D4-260D-C, D4-260D-D, D4-260I-A, D4-260I-B, D4-260I-C, D4-260I-D, D4-300A-A, D4-300A-C, D4-300A-D, D4-300D-A, D4-300D-C, D4-300I-A, D4-300I-C, D4-300I-D, D4-225A-E, D4-225I-E, D4-260A-E, D4-260D-E, D4-260I-E, D4-300A-E, D4-300D-E, D4-300D-D, D4-300I-E

| REF | PART NO. | QTY | DESCRIPTION | NOTES |
|-----|----------|-----|------------------------|---------------|
| 1 | 3803854 | 1 | Coolant pump, exch | SN-2004017297 |
| | 3801313 | 1 | Coolant pump | SN2004017298- |
| 2 | | 1 | • Coolant pump housing | |
| 3 | | 1 | • Impeller | |
| 4 | 3582673 | 1 | • Sealing ring | |
| 5 | | 1 | • Hub | |
| 6 | | 1 | • Shaft | |
| 7 | 3818912 | 1 | Gasket | (3583811) |
| 8 | 3582281 | 1 | Pulley | |
| 9 | 973924 | 6 | Flange screw | L=50mm |
| 10 | 946173 | 3 | Flange screw | L=20mm |
| 11 | 959223 | 1 | Hex. socket screw | L=30mm |