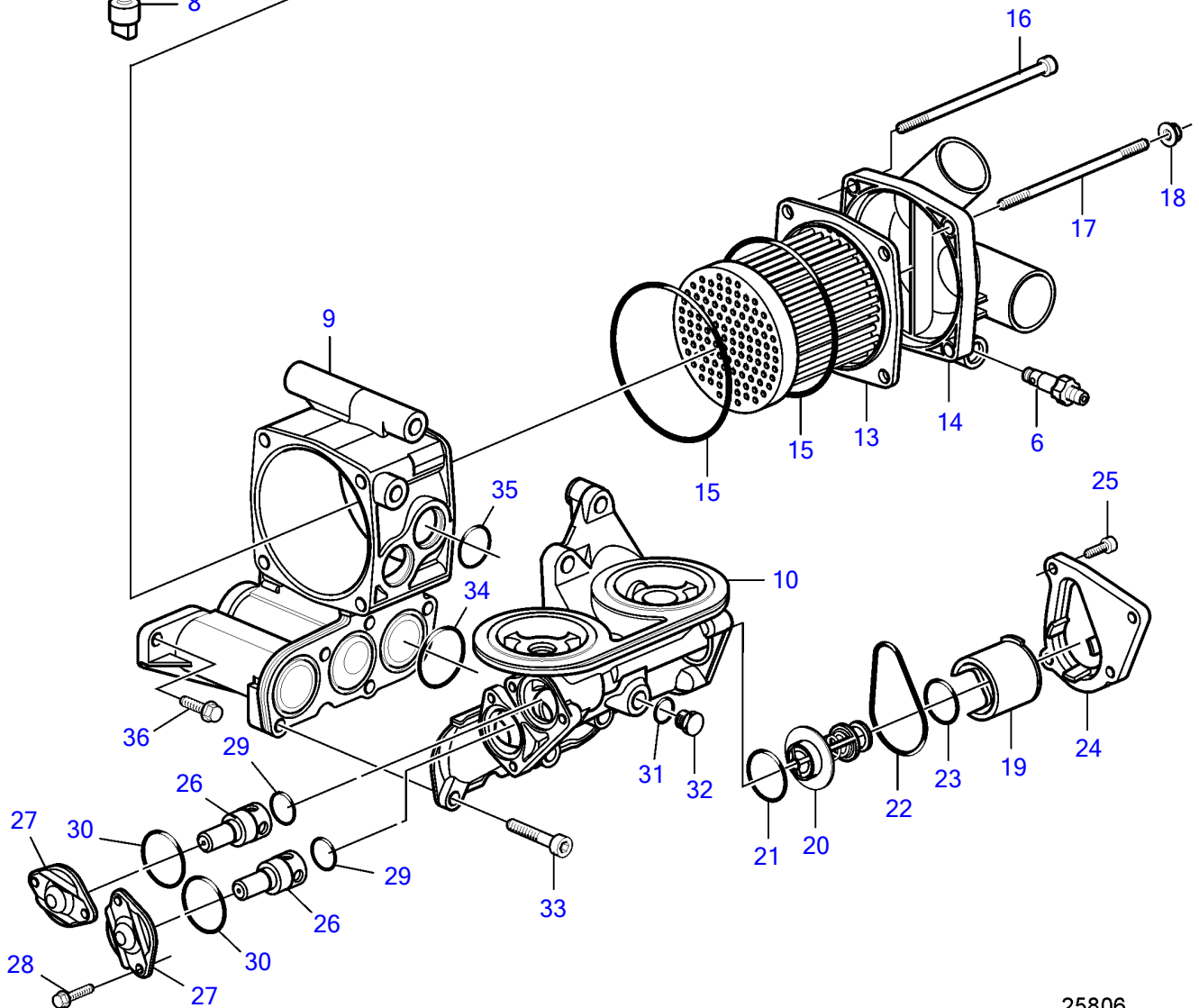
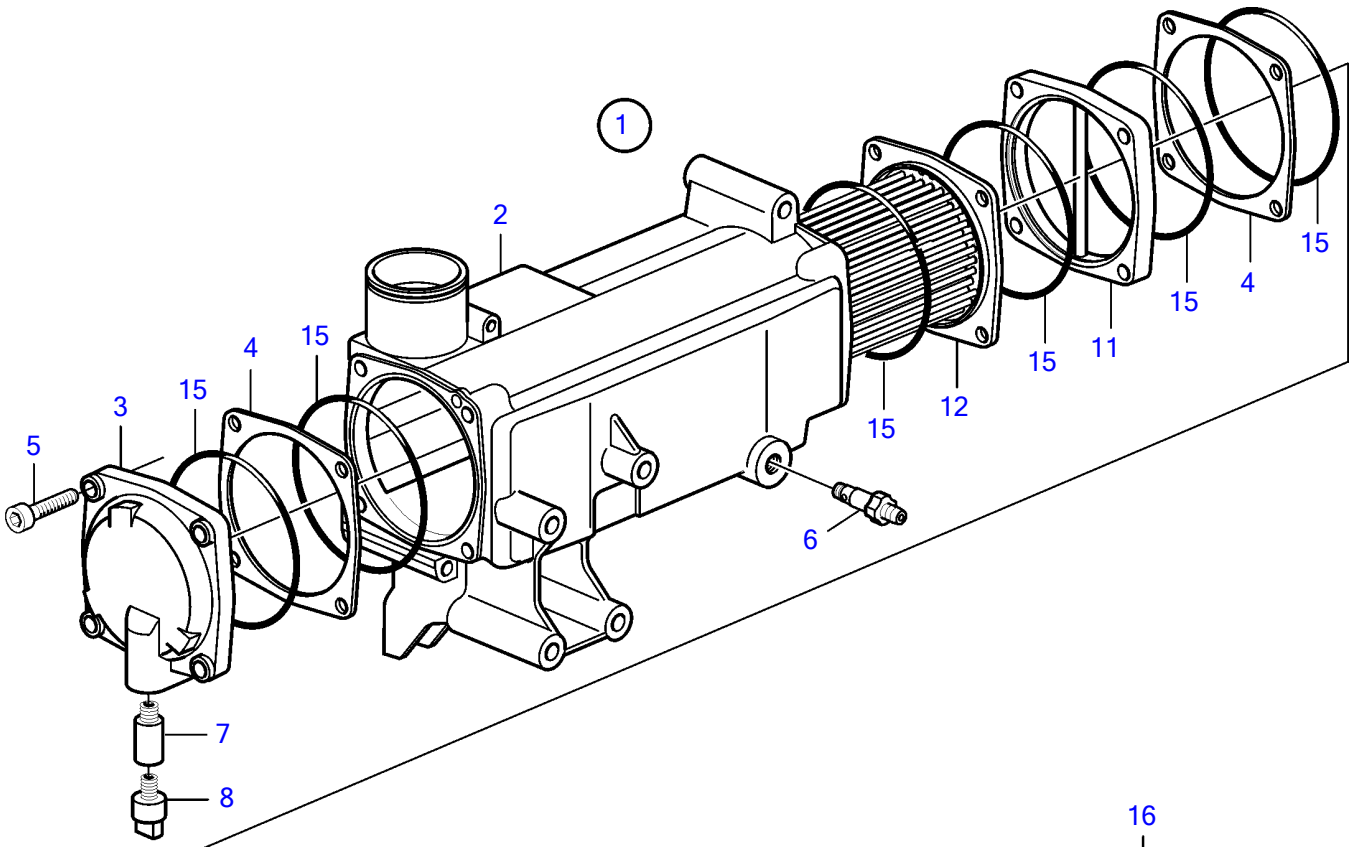


D4-210A-A, D4-210I-A, D4-260A-A, D4-260I-A



D4-210A-A, D4-210I-A, D4-260A-A, D4-260I-A

REF	PART NO.	QTY	DESCRIPTION	NOTES
1	3582298	1	Heat exchanger	
2		1	▪ Housing	
3	3583641	1	▪ End cover	
4	3583646	2	▪ Spacer	
5	959223	4	▪ Hex. socket screw	
6	3583822	2	▪ Draining nipple	
7	838929	1	▪ Anode	
8	838928	1	▪ Plug	
9	3583643	1	▪ Housing	
10	3584419	1	▪ Housing	
11	3583642	1	▪ Spacer	
12	3583644	1	▪ Tube	
13	3583645	1	▪ Tube	
14	3595407	1	▪ End cover	
15	3583647	8	▪ O-ring	
16	21122819	2	▪ Hex. socket screw	
17	3583650	2	▪ Stud	
18	945408	2	▪ Flange nut	
19	3583829	1	▪ Retainer	
20		1	▪ Thermostat	Including in kit 3588437
21	3583830	1	▪ O-ring	
22	3583831	1	▪ O-ring	
23	3583832	1	▪ O-ring	
24	3583828	1	▪ Cover	
25	947542	4	▪ Flange screw	
26	471706	2	▪ Reduction valve	
27	471648	2	▪ Cover	
28	946544	4	▪ Flange screw	
29	469846	2	▪ Sealing ring	
30	949659	2	▪ O-ring	
31	947282	1	▪ Gasket	
32	960629	1	▪ Plug	
33	959223	5	▪ Hex. socket screw	
34	866690	3	▪ O-ring	
35	3885174	2	▪ O-ring	
36	945444	3	Flange screw	

7746200-26-6535

25806

Upd:2014-07-03

D4-180I-B, D4-180I-C, D4-180I-D, D4-180I-E, D4-210A-A, D4-225A-B, D4-210I-A, D4-210I-B, D4-225I-B, D4-225A-C, D4-225A-D, D4-225I

VOLVO
PENTA