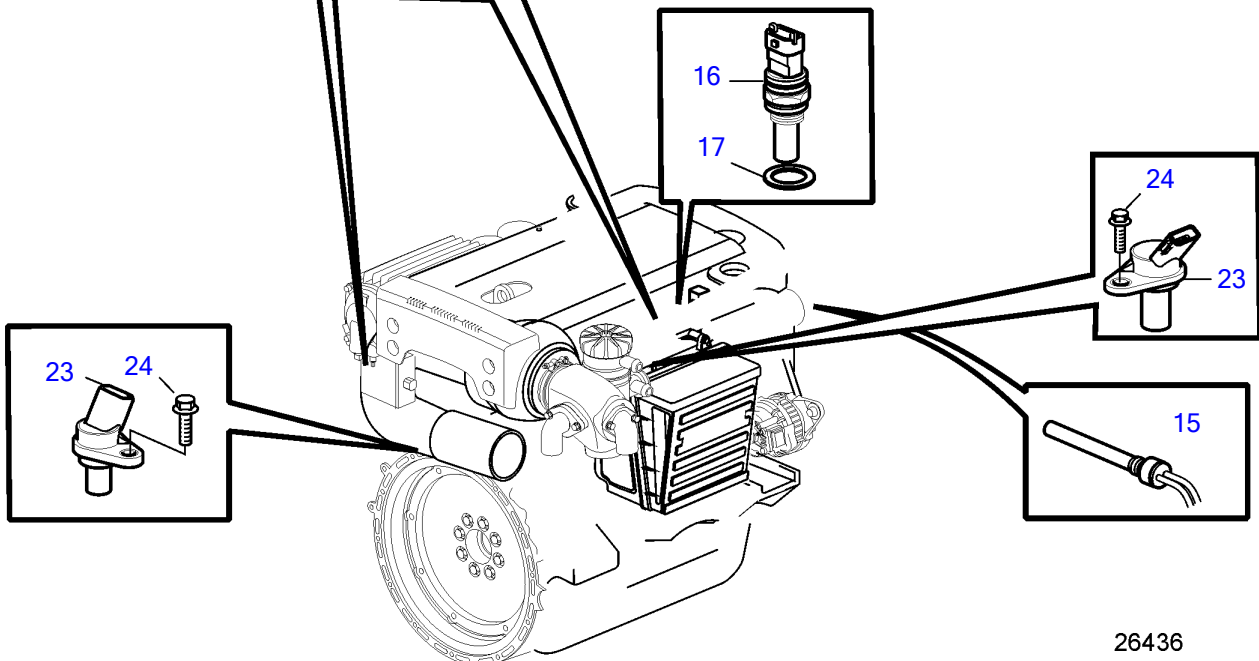
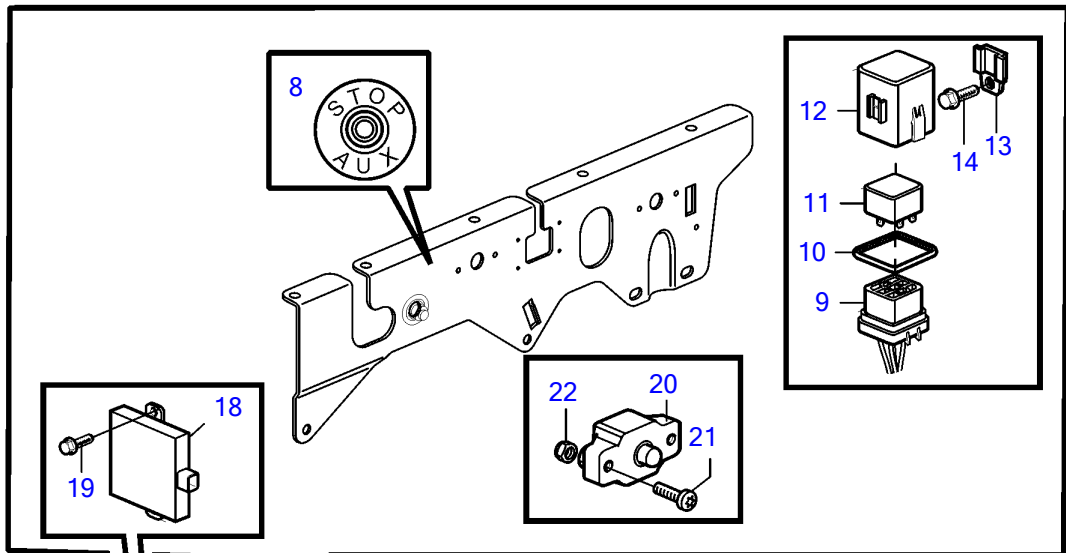
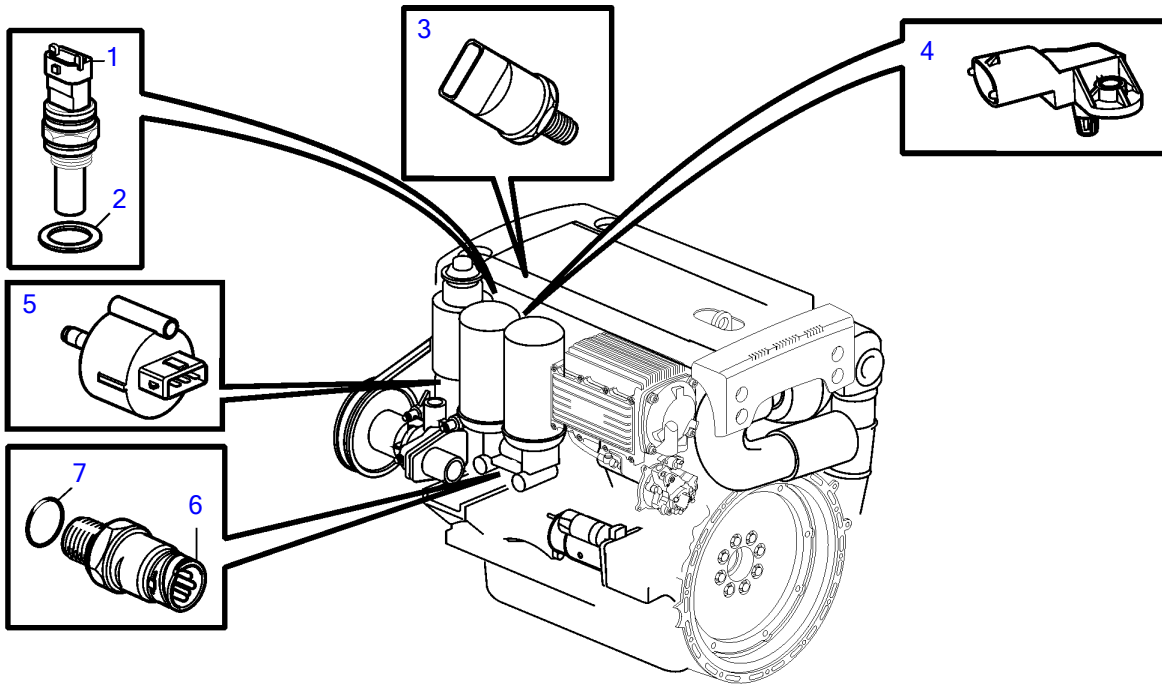


D4-180I-F, D4-225I-F, D4-260I-F, D4-300I-F



26436

D4-180I-F, D4-225I-F, D4-260I-F, D4-300I-F

REF	PART NO.	QTY	DESCRIPTION	NOTES
1	1624368	1	Sensor, fuel	
2	11996	1	Gasket	
3		1	Cable	Rail
4	21385453	1	Pressure sensor, charge pressure/temperature	
5	3808616	1	Sensor	Installation instruction included.
6	21634021	1	Pressure sensor	
7	968559	1	• O-ring	
8	828584	1	Toggle switch	
9	3587172	1	Relay socket	
10		1	Gasket	
11	21400091	1	Relay	12V
	3171420	1	Relay	24V
12	21494263	1	Relay box	
13	21492847	1	Relay bracket	
14	948663	1	Flange screw	
15	3547710	1	Level guard	
16	1624368	1	Sensor	
17	11996	1	Gasket	
18	21959663	1	Voltage converter	
19	946501	3	Flange screw	
20	21445306	1	Fuse	
21	969408	2	6 point socket screw	
22	963104	2	Lock nut	
23	21426987	1	Speed sensor	
24	946544	1	Flange screw	