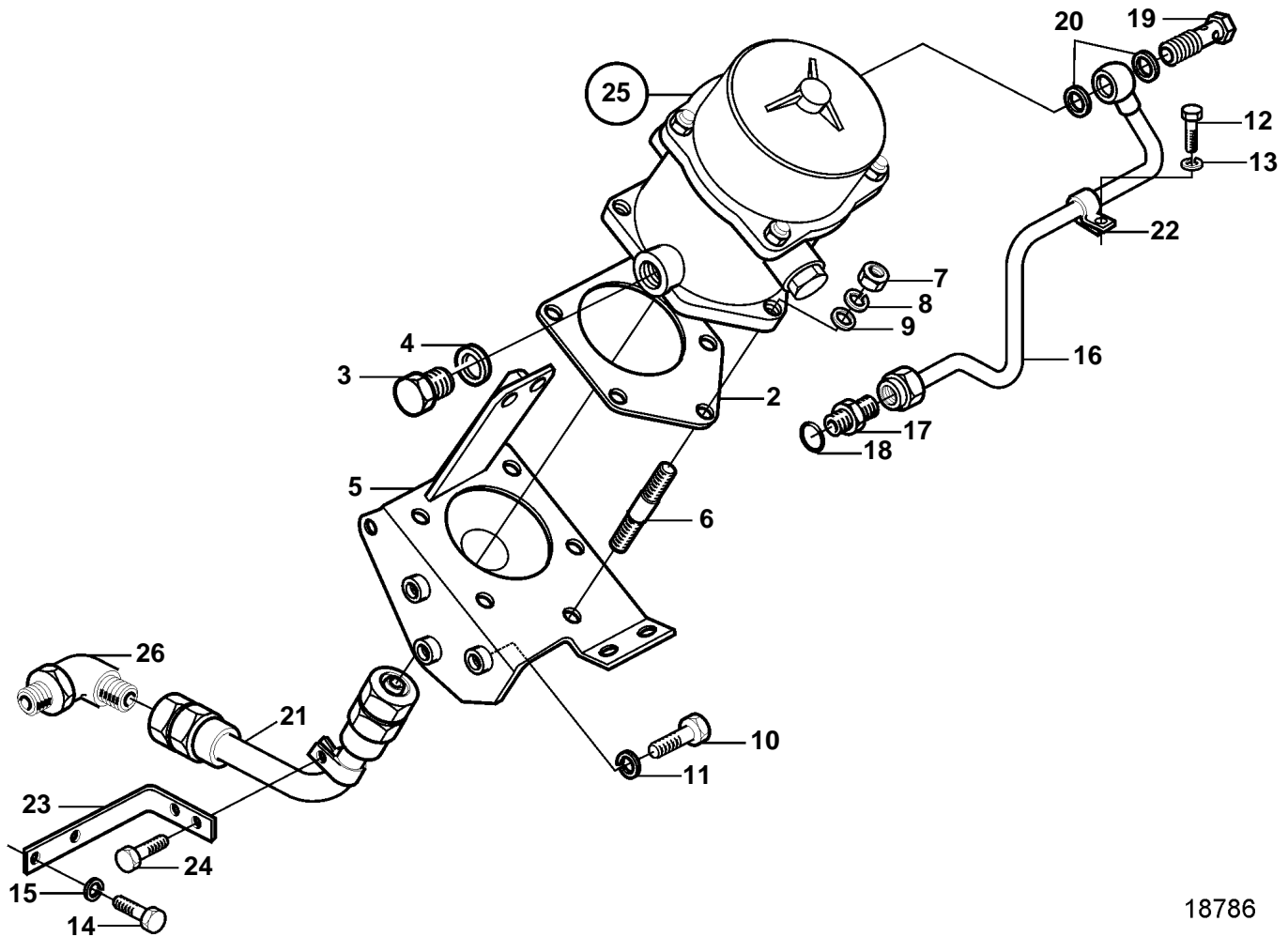
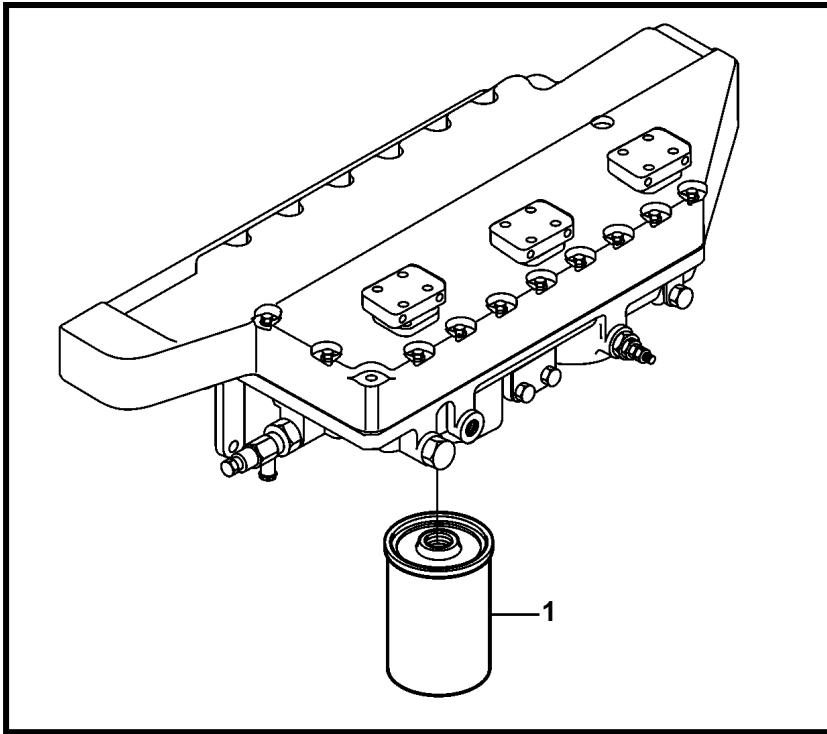


D34A-MT



18786

D34A-MT

| REF | PART NO. | QTY | DESCRIPTION | SEE SEC. |
|-----|----------|-----|----------------|----------|
| 1 | 3831490 | 4 | Filter insert | |
| 2 | 3836907 | 1 | Gasket | |
| 3 | 3832329 | 1 | Plug | |
| 4 | 3831944 | 1 | Sealing washer | |
| 5 | 3836908 | 1 | Bracket | |
| 6 | 3831667 | 5 | Stud | |
| 7 | 3832196 | 5 | Lock nut | |
| 8 | 3832233 | 5 | Spring washer | |
| 9 | 3832214 | 5 | Washer | |
| 10 | 3831603 | 3 | Screw | |
| 11 | 3832245 | 3 | Spring washer | |
| 12 | 3831605 | 1 | Screw | |
| 13 | 3832245 | 1 | Spring washer | |
| 14 | 3836447 | 2 | Screw | |
| 15 | 3832233 | 2 | Spring washer | |
| 16 | 3836909 | 1 | Tube | |
| 17 | 3833250 | 1 | Connector | |
| 18 | 3833852 | 1 | O-ring | |
| 19 | 3832348 | 1 | Screw | |
| 20 | 3831944 | 2 | Sealing washer | |
| 21 | 3836910 | 1 | Tube | |
| 22 | 3836911 | 1 | Clip | |
| 23 | 3836912 | 1 | Stay | |
| 24 | 3836448 | 2 | Screw | |
| 25 | 3836913 | 1 | Oil filter kit | |
| | | | | 5250 |
| 26 | 3832121 | 1 | Elbow union | 5159 |