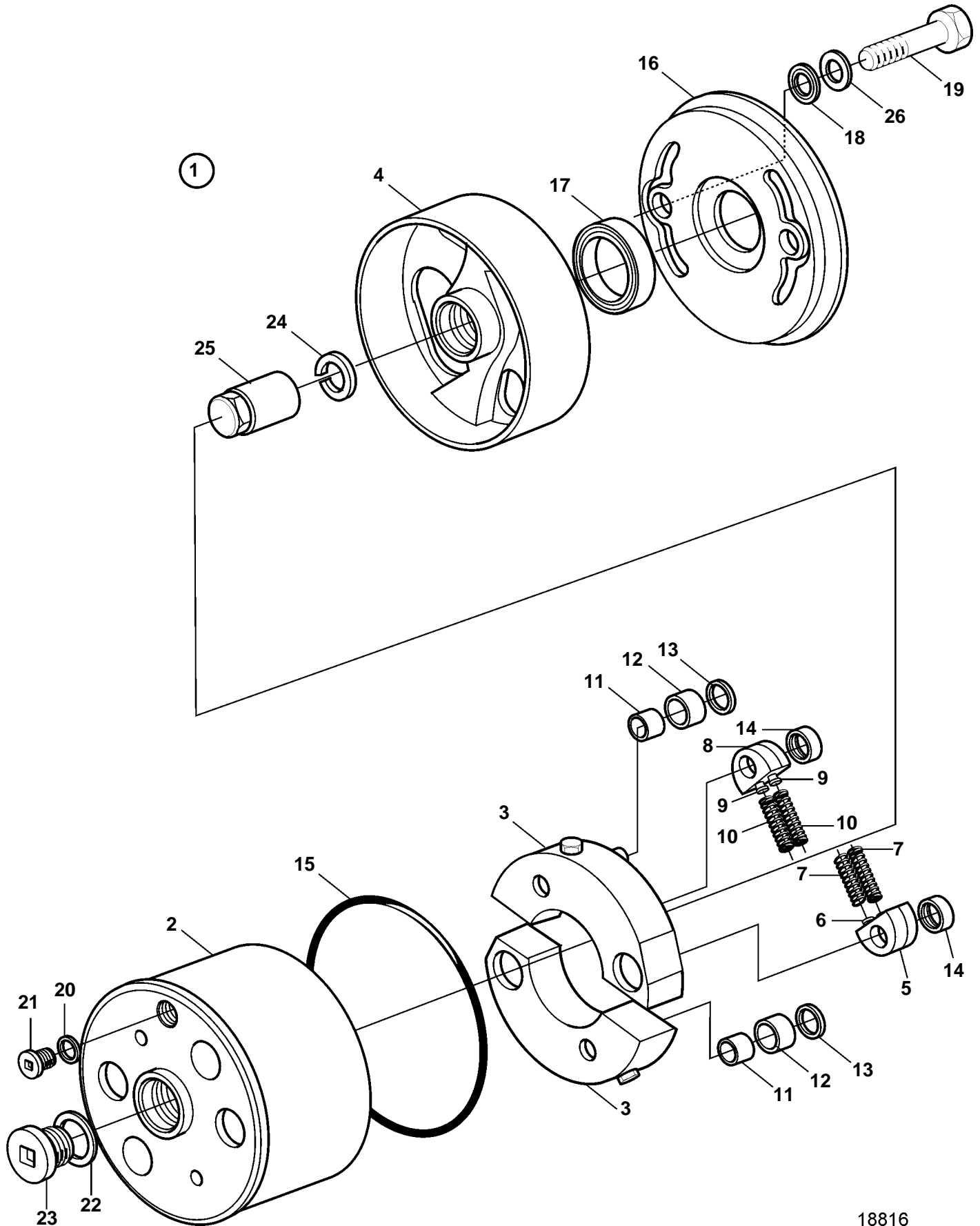


D34A-MT, D34A-MS



D34A-MT, D34A-MS

REF	PART NO.	QTY	DESCRIPTION	NOTES
1	3834770	1	Injection timing dev	
2	3833639	1	· Housing	
3	3833493	2	· Weight	
4	3833485	1	· Flange	
5	3834485	2	· Spring	
6	3834586	X	· Shim	TH=0,200mm
	3834587	X	· Shim	TH=0,300mm
	3834588	X	· Shim	TH=0,500mm
7	3834645	2	· Spring	
8	3834485	2	· Spring	
9	3834586	X	· Shim	TH=0,200mm
	3834587	X	· Shim	TH=0,300mm
	3834588	X	· Shim	TH=0,500mm
10	3834645	2	· Spring	
11	3833082	2	· Bushing	
12	3834393	X	· Roller	D=27,90mm
	3834394	X	· Roller	D=28,00mm
	3834395	X	· Roller	
	3834396	X	· Roller	D=28.20mm
13	3834850	2	· Washer	
14	3834340	2	· Retainer	
15	3833838	1	· O-ring	
16	3833318	1	· Cover	
17	3834447	1	· Sealing ring	
18	3833519	2	· Gasket	
19	3832237	2	· Screw	
20	3833504	2	· Gasket	
21	3834264	1	· Plug	
22	3833518	1	· Gasket	
23	3833108	1	· Cap	
24	3834894	1	· Spring washer	
25	3833803	1	· Nut	
26	3834513	6	· Shim	