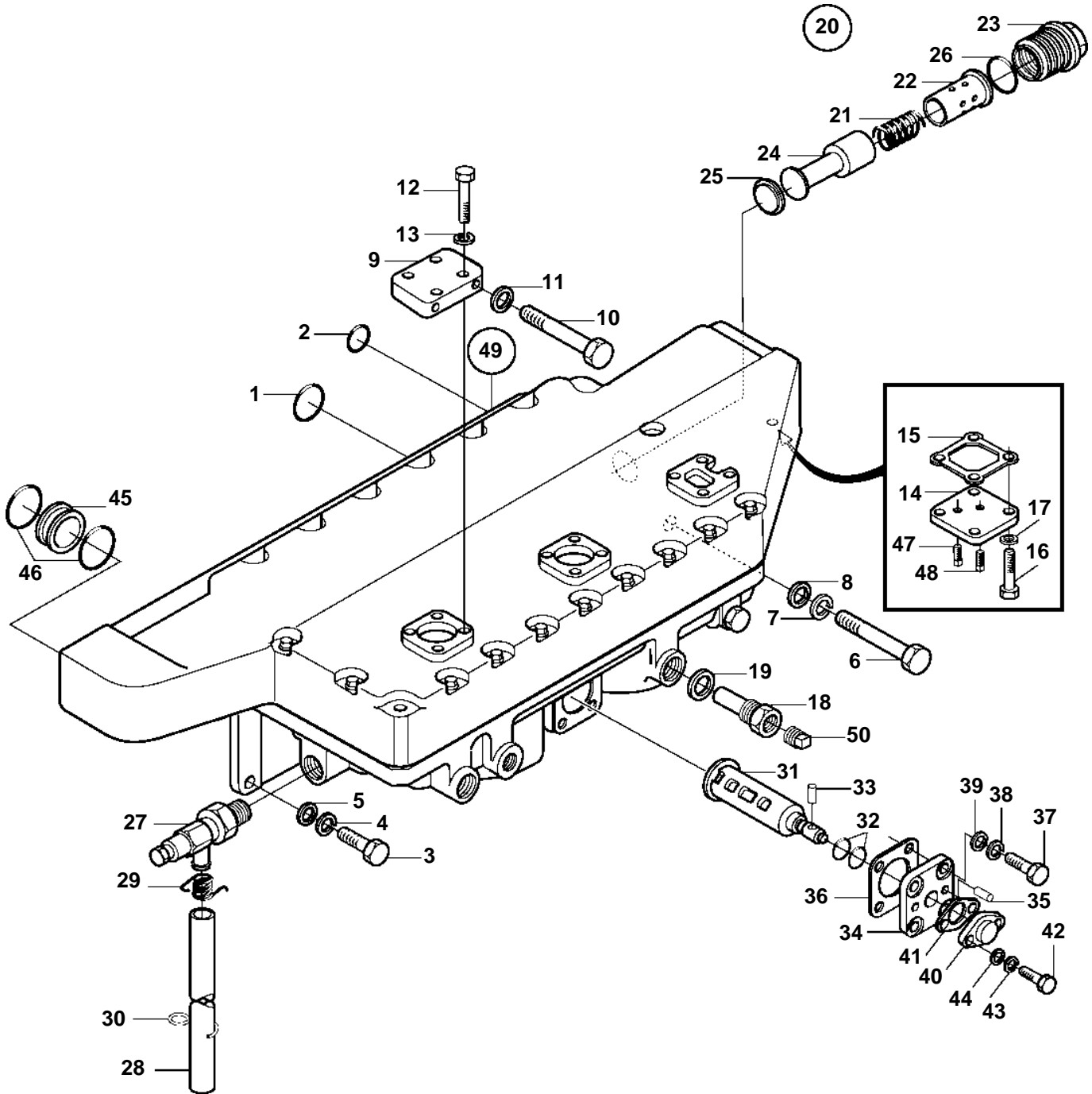


D34A-MT AUX, D34A-MS AUX



D34A-MT AUX, D34A-MS AUX

| REF | PART NO. | QTY | DESCRIPTION | SEE SEC. |
|-----|----------|-----|-----------------------|----------|
| 1 | 3831569 | 2 | O-ring | |
| 2 | 3831566 | 1 | O-ring | |
| 3 | 3834954 | 11 | Screw | |
| 4 | 3832233 | 11 | Spring washer | |
| 5 | 3832214 | 11 | Washer | |
| 6 | 3832107 | 2 | Screw | |
| 7 | 3832233 | 2 | Spring washer | |
| 8 | 3832214 | 2 | Washer | |
| 9 | 3832999 | 3 | Bracket | |
| 10 | 3831599 | 6 | Screw | |
| 11 | 3832214 | 6 | Washer | |
| 12 | 3831576 | 12 | Screw | |
| 13 | 3832233 | 12 | Spring washer | |
| 14 | 3836904 | 1 | Cover | |
| 15 | 3836905 | 1 | Gasket | |
| 16 | 3831575 | 4 | Screw | |
| 17 | 3832233 | 4 | Spring washer | |
| 18 | | 1 | Connector | |
| 19 | 3831598 | 1 | Sealing washer | |
| 20 | 3834830 | 1 | Valve kit | |
| 21 | 3834648 | 1 | · Spring | |
| 22 | 3834602 | 1 | · Sleeve | |
| 23 | 3834266 | 1 | · Plug | |
| 24 | 3834840 | 1 | · Valve | |
| 25 | 3834341 | 1 | · Retainer | |
| 26 | 3835114 | 1 | O-ring | |
| 27 | 3831659 | 1 | Drain cock | |
| 28 | 3832306 | 1 | Hose | |
| 29 | 3831614 | 1 | Clamp | |
| 30 | 3833172 | 1 | Clamp | |
| 31 | 3833199 | 1 | Tap | |
| 32 | 3836808 | 2 | O-ring | |
| 33 | 3831546 | 1 | Screw | |
| 34 | 3833326 | 1 | Plate | |
| 35 | 3831846 | 2 | Spring pin | |
| 36 | 3836906 | 1 | Gasket | |
| 37 | 3834954 | 4 | Screw | |
| 38 | 3832233 | 4 | Spring washer | |
| 39 | 3832214 | 4 | Washer | |
| 40 | 3833328 | 1 | Cover | |
| 41 | 3833533 | 1 | Gasket | |
| 42 | 3832038 | 2 | Screw | |
| 43 | 3832225 | 2 | Spring washer | |
| 44 | 3831791 | 2 | Washer | |
| 45 | 3833673 | 1 | Joint, cylinder block | |
| 46 | 3832288 | 2 | O-ring | |
| 47 | 3836829 | 1 | Plug | |
| 48 | 3836541 | 1 | Plug | |
| 49 | | 1 | Oil cooler | |
| | | | | 5192 |
| 50 | 3836541 | 1 | Plug | |