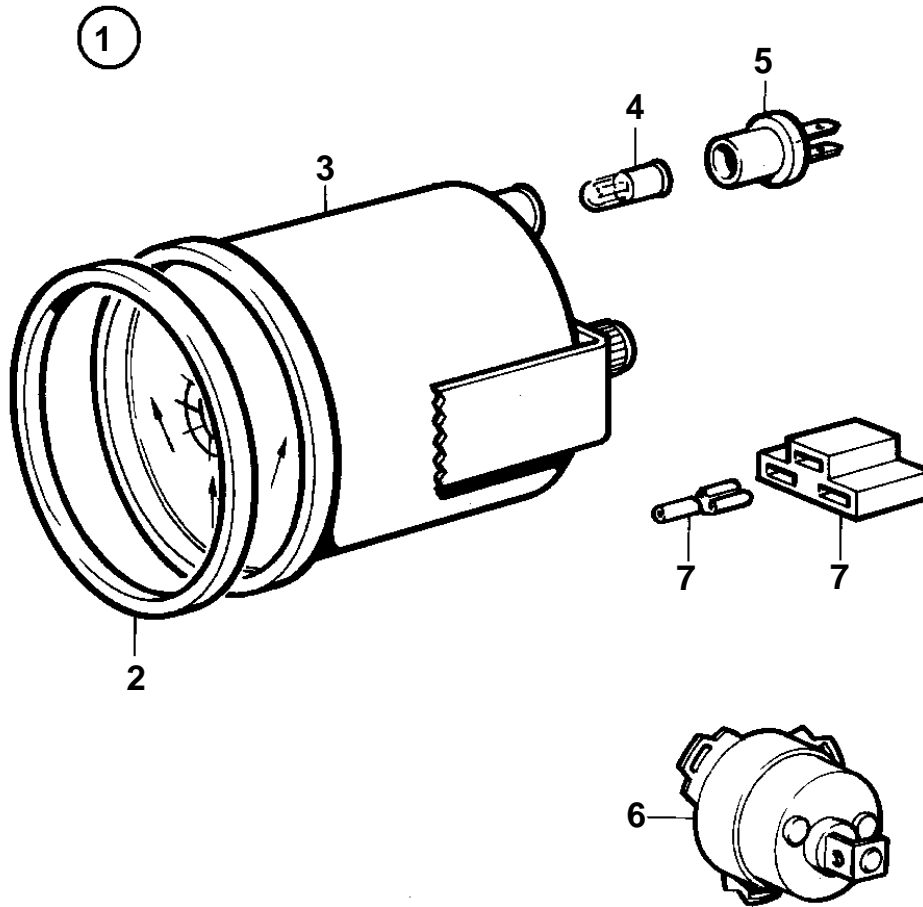


MD31A,TMD31A,TMD31B,TAMD31A,TAMD31B



10036

MD31A,TMD31A,TMD31B,TAMD31A,TAMD31B

REF	PART NO.	QTY	DESCRIPTION	NOTES
1	858884	1	Rudder indicator kit	WHITE COLOURED DECOR STRIPE.
2	858643	1	· Front ring	WHITE COLOURED DECOR STRIPE.
3	863944	1	· Rudder indicator	(828698)
4	863946	1	· · Bulb	RED. FOR RUDDER INDICATOR INSTRUMENTS WITH PART NO 828698 SHOULD WHITE BULB 19923 AND BULB HOLDER 808175 BE INSTALLED
5	863945	1	· · Bulb socket	FOR RUDDER INDICATOR INSTRUMENTS WITH PART NO 828698 SHOULD WHITE BULB 19923 AND BULB HOLDER 808175 BE INSTALLED
6	837772	1	· Rudder position sens	
7		X	· CABLES AND TERMINALS	SEE GROUP 3