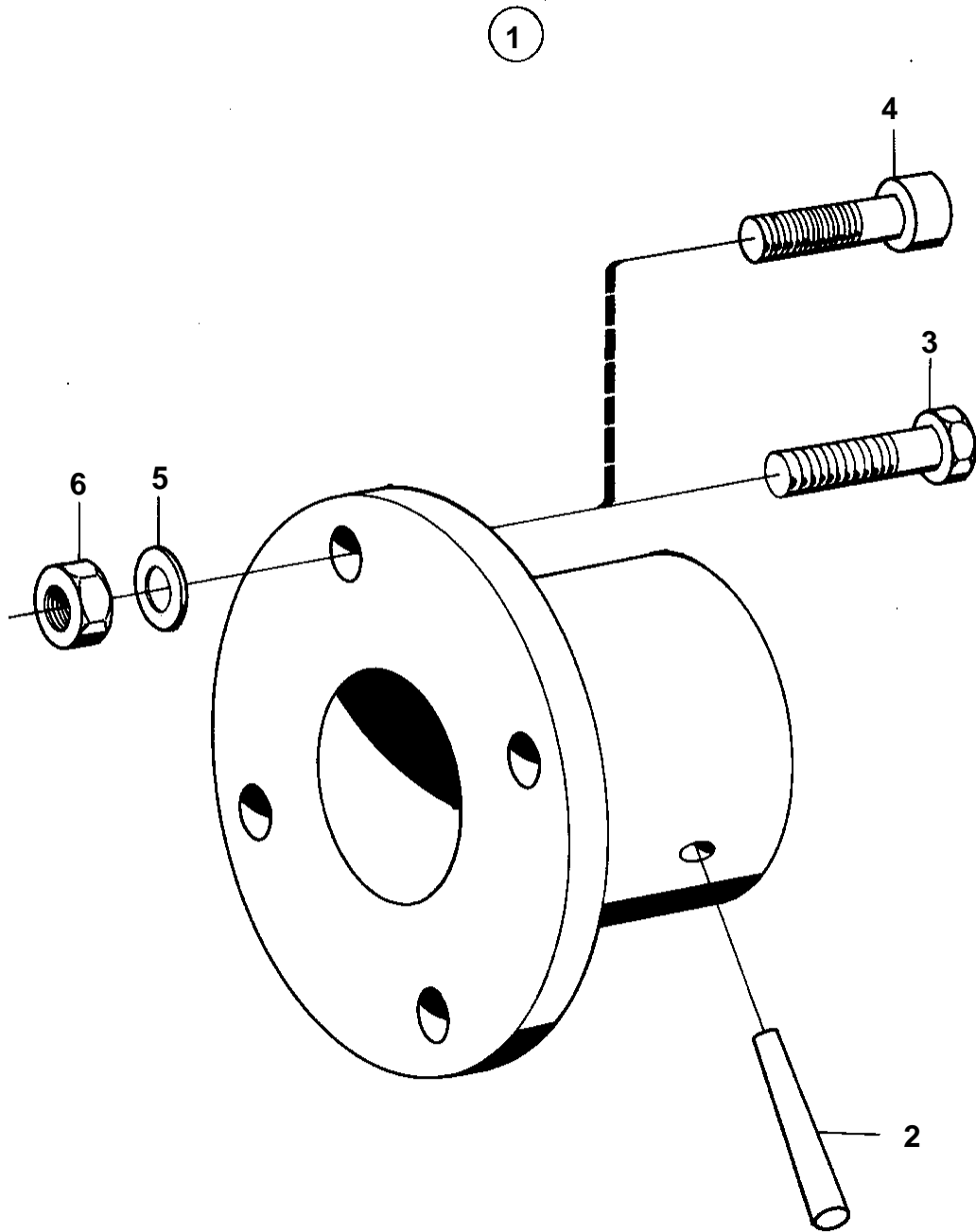


COMMON



3232

COMMON

REF	PART NO.	QTY	DESCRIPTION	NOTES
1	806385	1	Companion flange	D = 30 MM
2	907599	1	• Pin	
3	955319	4	• Screw	
4	959239	4	• Screw	
5	941908	4	• Spring washer	
6	955783	4	• Nut	