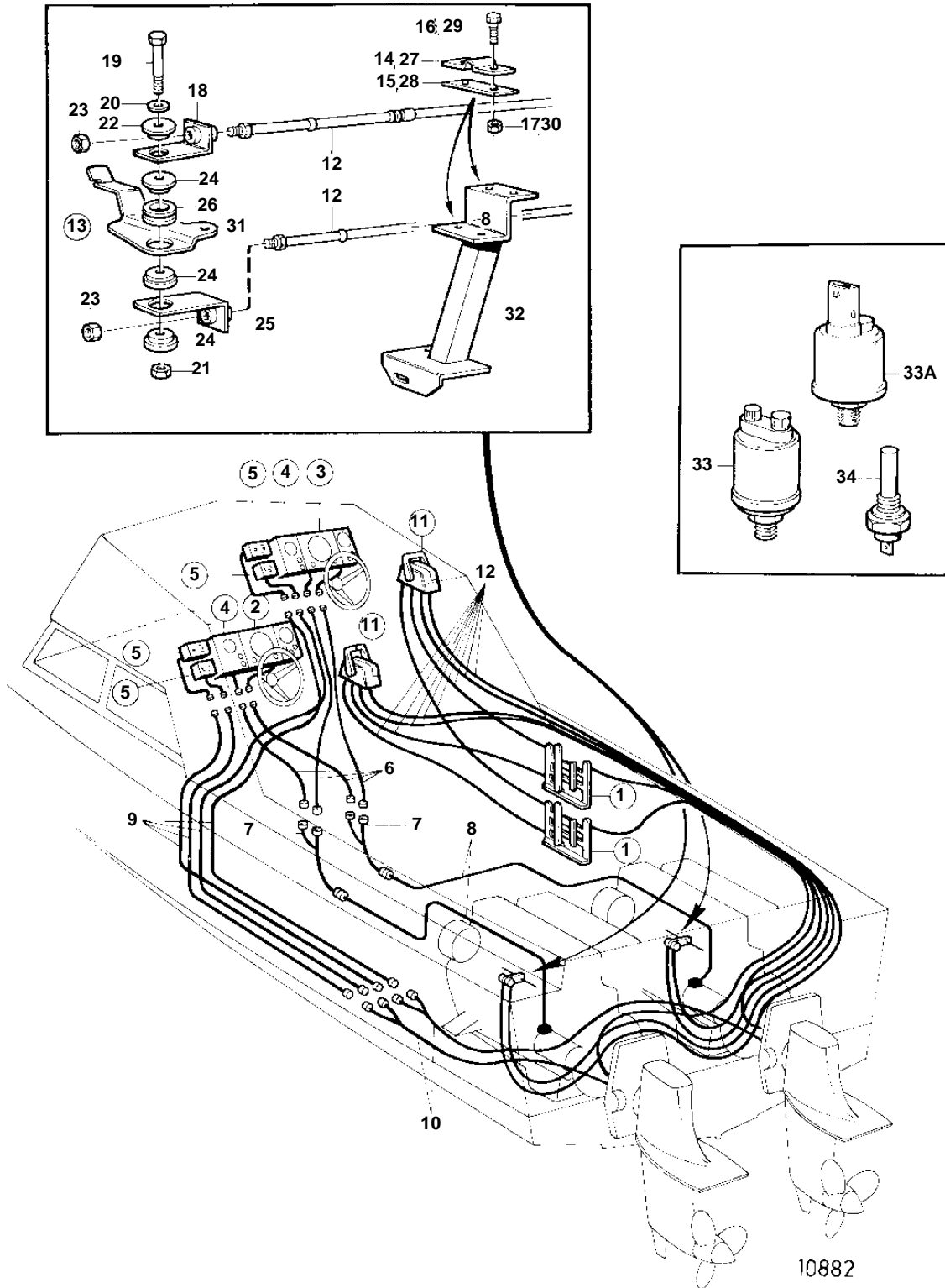


COMMON



**COMMON**

REF	PART NO.	QTY	DESCRIPTION	SEE SEC.	NOTES
1	828164	2	Collector	090-2550	
2		2	INSTRUMENT PANEL		SEE GROUP 3
3	858086	2	Instrument panel, INSTRUMENT PANEL COMPONENTS		REPL BY 858866 SEE GROUP 3
	858866	2	Instrument panel COMPONENTS		SEE GROUP 3
4	846786	X	Instrument panel	090-1420	REPL BY 858874. GOLD COLOURED DECOR STRIPE.
	858874	X	Instrument panel	090-1420	WHITE COLOURED DECOR STRIPE.
6	846648	X	Extension cable		L = 3000 MM
	846649	X	Extension cable		L = 5000 MM
	846650	X	Extension cable		L = 7000 MM
7	1140317	2	Y-koppling		
8		2	CABLE UNIT		SEE GROUP 3
11	853169	X	Mounting kit	090-0657	
	851603	X	Mounting kit	090-0650	
12		X	CONTROL CABLE	090-0900	
13	858770	2	Mounting kit		
14	819067	2	· Brace		
15	819068	2	· Washer		
16	956078	4	· Screw		
17	951674	4	· Lock nut		
18	843107	2	· Anchorage		
19	955275	2	· Screw		
20	955892	2	· Washer		
21	946035	2	· Lock nut		
22	843105	2	· Spacer washer		
23	951674	4	Lock nut		
24	843105	6	Spacer washer		
25	843107	2	Anchorage		
26	843109	2	Bushing		
27	819067	2	Brace		
28	819068	2	Washer		
29	956078	4	Screw		
30	951674	4	Lock nut		
31		2	BRACKET		SEE GROUP 2D
32		2	BRACKET		SEE GROUP 2D
33	843232	2	Oil pressure sensor		EARLY TYPE
33A	862568	2	Oil pressure sensor		LATE TYPE
34	862567	2	Temperature sensor		FOR ENGINES WITH 1,5 POLE ELECTRICAL SYSTEM