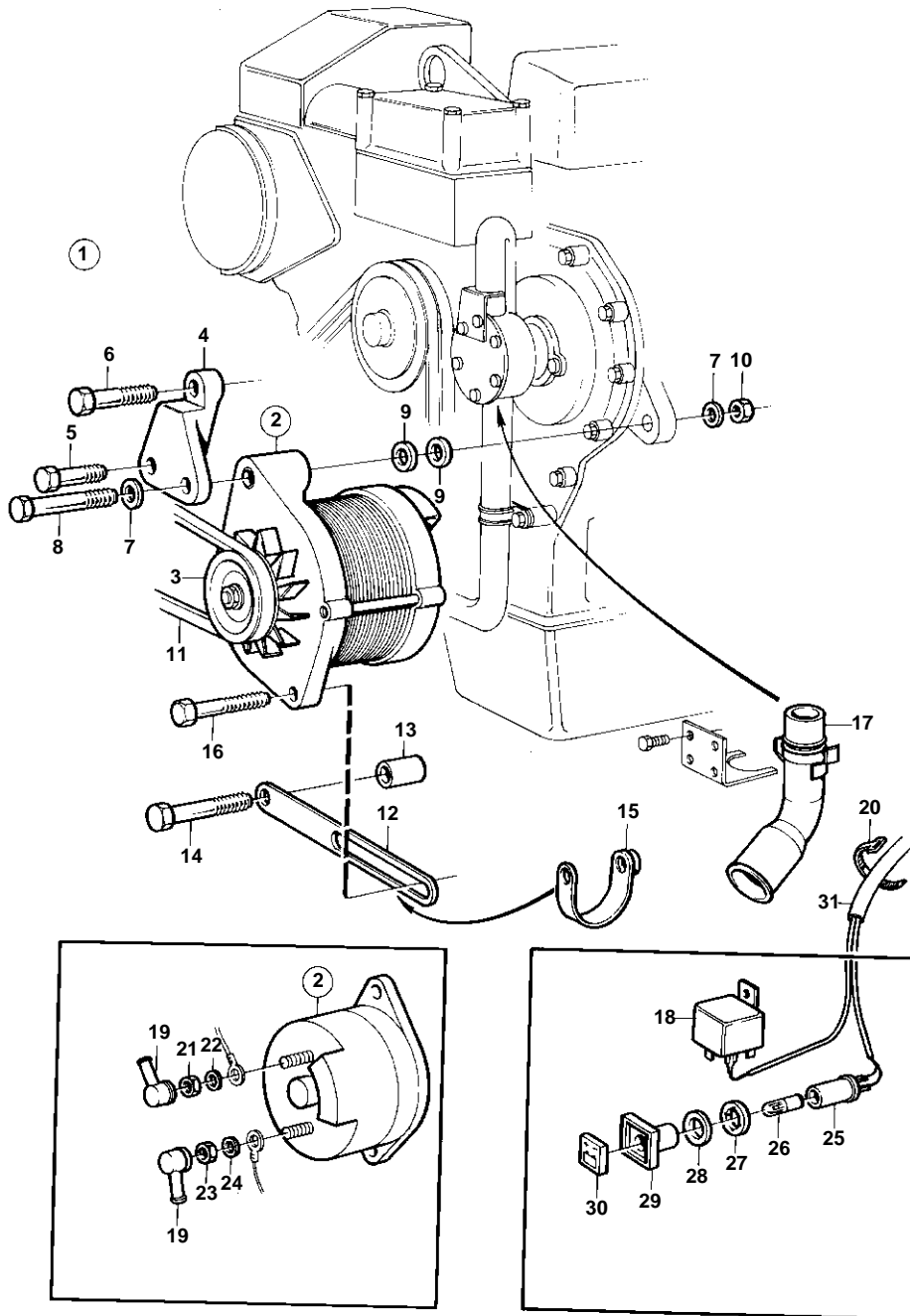


COMMON



8432

COMMON

REF	PART NO.	QTY	DESCRIPTION	NOTES
1	858620	1	Alternator kit	12V
2	858838	1	· Alternator, GENERATOR COMPONENTS	14V 50A. FOR 12 VOLTAGE ELECTRIC SYSTEM.. ALSO AVAILABLE AS AN EXCHANGE PART. SEE GROUP 3
3	841813	1	· Pulley	
4	843057	1	· Bracket	
5	965183	1	· Flange screw	
6	965180	1	· Flange screw	
7	941908	2	· Spring washer	
8	955332	1	· Screw	
9	192495	2	· Washer	
10	971095	1	· Nut	(945409)
11	967109	1	· V-belt	(958490)
12	843055	1	· Tensioner	
13	843075	1	· Sleeve	
14	965183	1	· Flange screw	
15	466735	1	· Tensioning eyelet	
16	947760	1	· Flange screw	
17	858559	1	· Hose connection	
18	853545	1	· Relay kit	(853544)
19	842150	2	· Protective cap	
20	948210	10	· Strip clamp	
21	955780	1	· Nut	
22	941905	1	· Spring washer	
23	955781	1	· Nut	
24	941906	1	· Spring washer	
25	808175	1	· Bulb socket	
26	19923	1	· Bulb	
27	967583	1	· Retainer	
28	829714	1	· Seal	
29	838455	1	· Retainer	
30	838457	1	· Symbol strip	
31		X	· CABLES AND TERMINALS	SEE GROUP 3