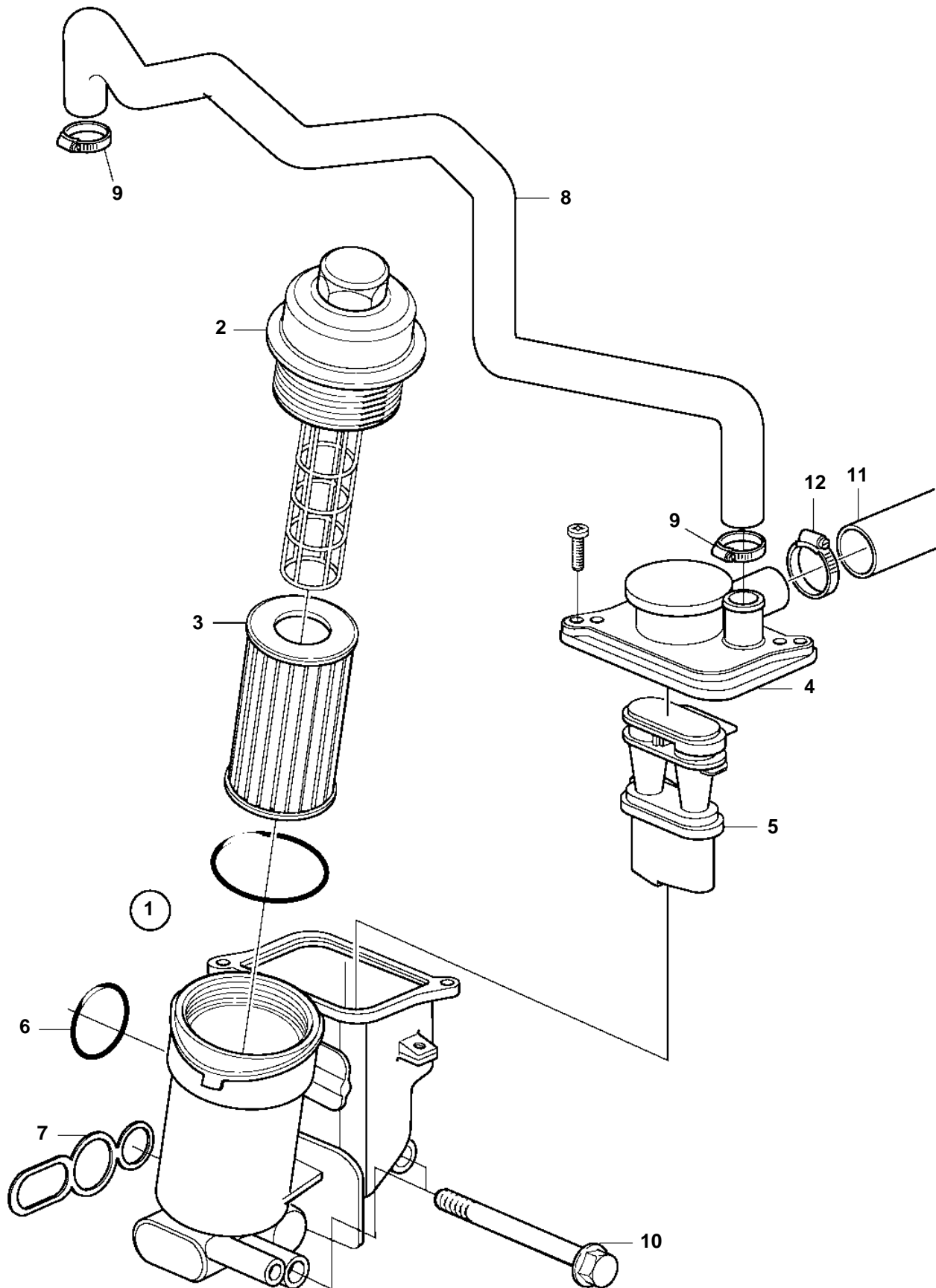


D3-110i-B, D3-130i-B, D3-160i-B, D3-190i-B, D3-130A-B, D3-160A-B, D3-190A-B



D3-110i-B, D3-130i-B, D3-160i-B, D3-190i-B, D3-130A-B, D3-160A-B, D3-190A-B

REF	PART NO.	QTY	DESCRIPTION
1		1	Oil filter
2		1	· Cover
3	8692305	1	· Filter insert
4		1	· Valve
5		1	· Oil separator
6		1	· Seal
7		1	· Seal
8	8653562	1	Hose
9	976561	2	Hose clamp
10	968167	4	Flange screw
11	3817387	1	Hose, crankcase vent.
12	943473	2	Hose clamp