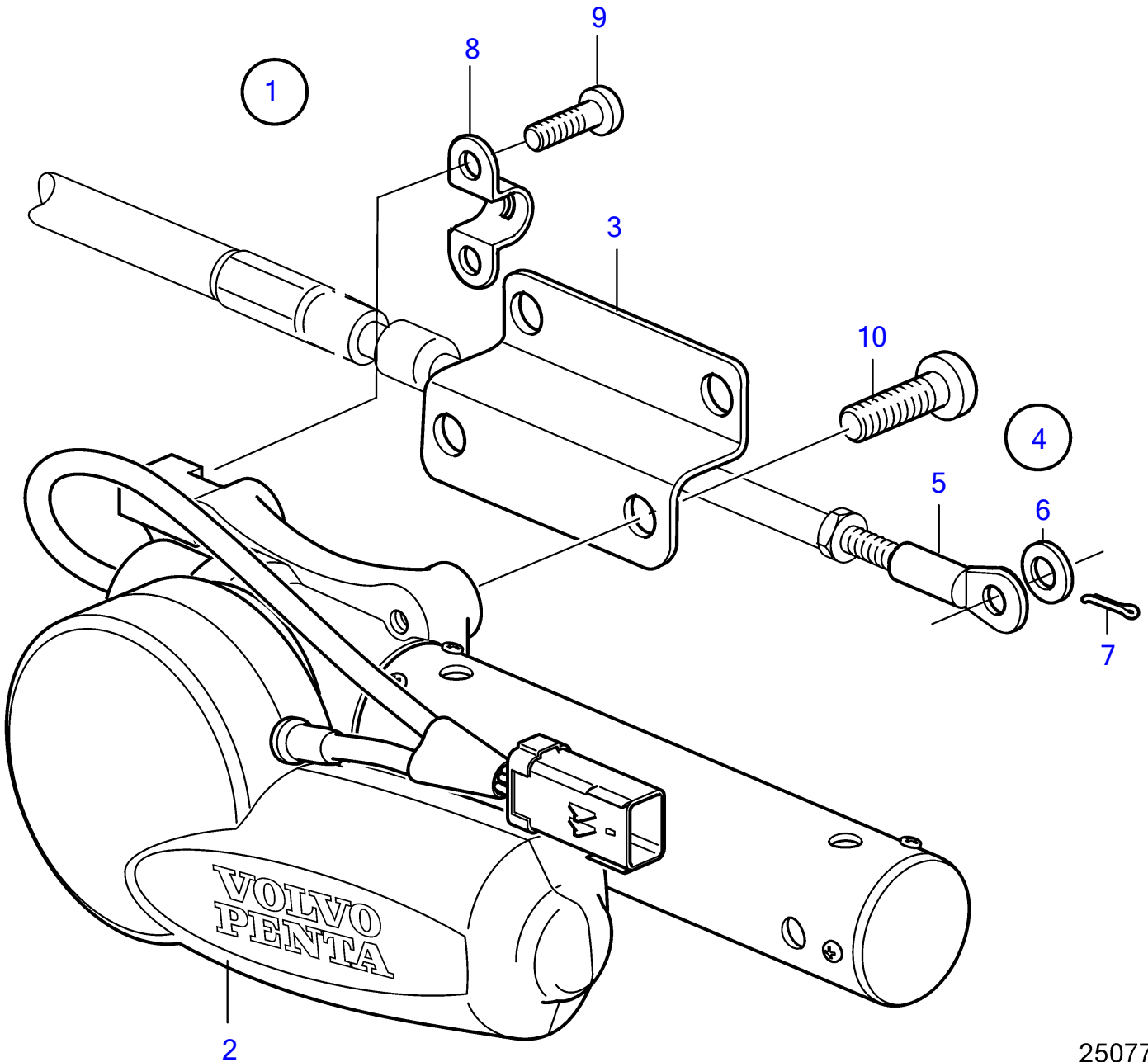


D3-140A-D, D3-140A-E, D3-140A-F, D3-170A-D, D3-170A-E, D3-170A-F, D3-200A-D, D3-200A-E, D3-200A-F, D3-220A-D, D3-220A-E, D3-220A-F



25077

D3-140A-D, D3-140A-E, D3-140A-F, D3-170A-D, D3-170A-E, D3-170A-F, D3-200A-D, D3-200A-E, D3-200A-F, D3-220A-D, D3-220A-E, D3-220A-F

REF	PART NO.	QTY	DESCRIPTION	NOTES
1		1	Kit	
2	3848712	1	• Shift motor	
3	21353263	2	• Bracket	
4		1	• Kit	
5	3850941	1	• • Adapter	
6	940191	1	• • Washer	
7	17253	1	• • Split pin	
8	21471054	1	• • Bracket	
9	973155	2	• • 6 point socket screw	M5x12mm
10	944435	4	Flange screw	