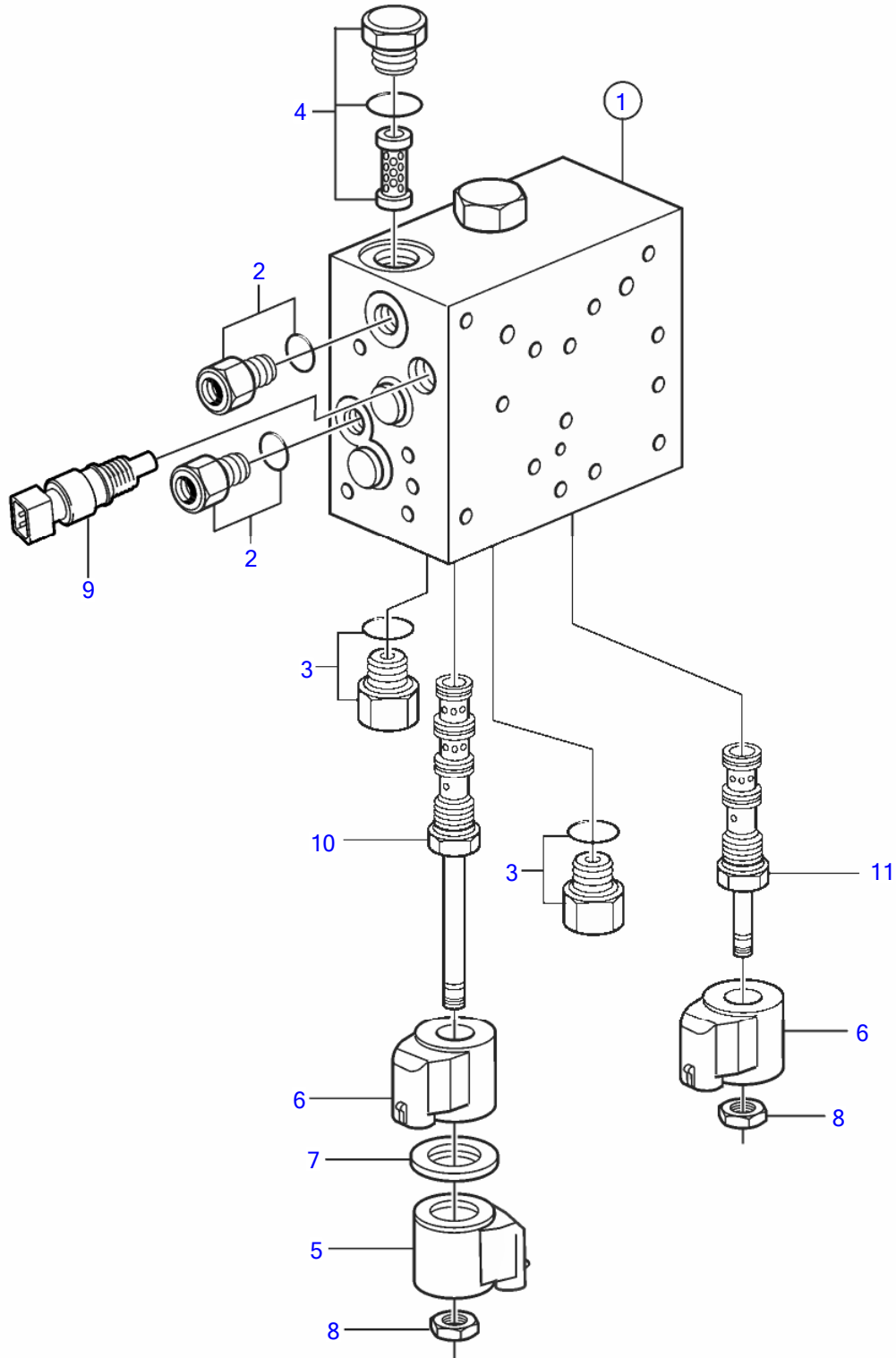


D3-140A-D, D3-140A-E, D3-140A-F, D3-170A-D, D3-170A-E, D3-170A-F, D3-200A-D, D3-200A-E, D3-200A-F, D3-220A-D, D3-220A-E, D3-220A-F



27407

D3-140A-D, D3-140A-E, D3-140A-F, D3-170A-D, D3-170A-E, D3-170A-F, D3-200A-D, D3-200A-E, D3-200A-F, D3-220A-D, D3-220A-E, D3-220A-F

| REF | PART NO. | QTY | DESCRIPTION           | NOTES               |
|-----|----------|-----|-----------------------|---------------------|
| 1   | 21199262 | 1   | Valve                 |                     |
| 2   | 21199274 | 2   | • Nipple              |                     |
|     |          | 2   | • • O-ring            | not sold separately |
| 3   | 3859043  | 2   | • Fitting             |                     |
|     | 3859042  | 2   | • • O-ring            |                     |
| 4   | 21584276 | 1   | • Filter              |                     |
|     |          | 3   | • • O-ring            | not sold separately |
| 5   | 21314061 | 1   | • Solenoid            |                     |
| 6   | 21314064 | 2   | • Solenoid            |                     |
| 7   |          | 1   | • Washer              | not sold separately |
| 8   |          | 2   | • Nut                 | not sold separately |
| 9   | 3850397  | 1   | • Switch, temperature |                     |
| 10  |          | 1   | Valve                 |                     |
|     |          | 1   | • O-ring              | not sold separately |
| 11  | 22141353 | 1   | Valve                 |                     |
|     |          | 1   | • O-ring              | not sold separately |