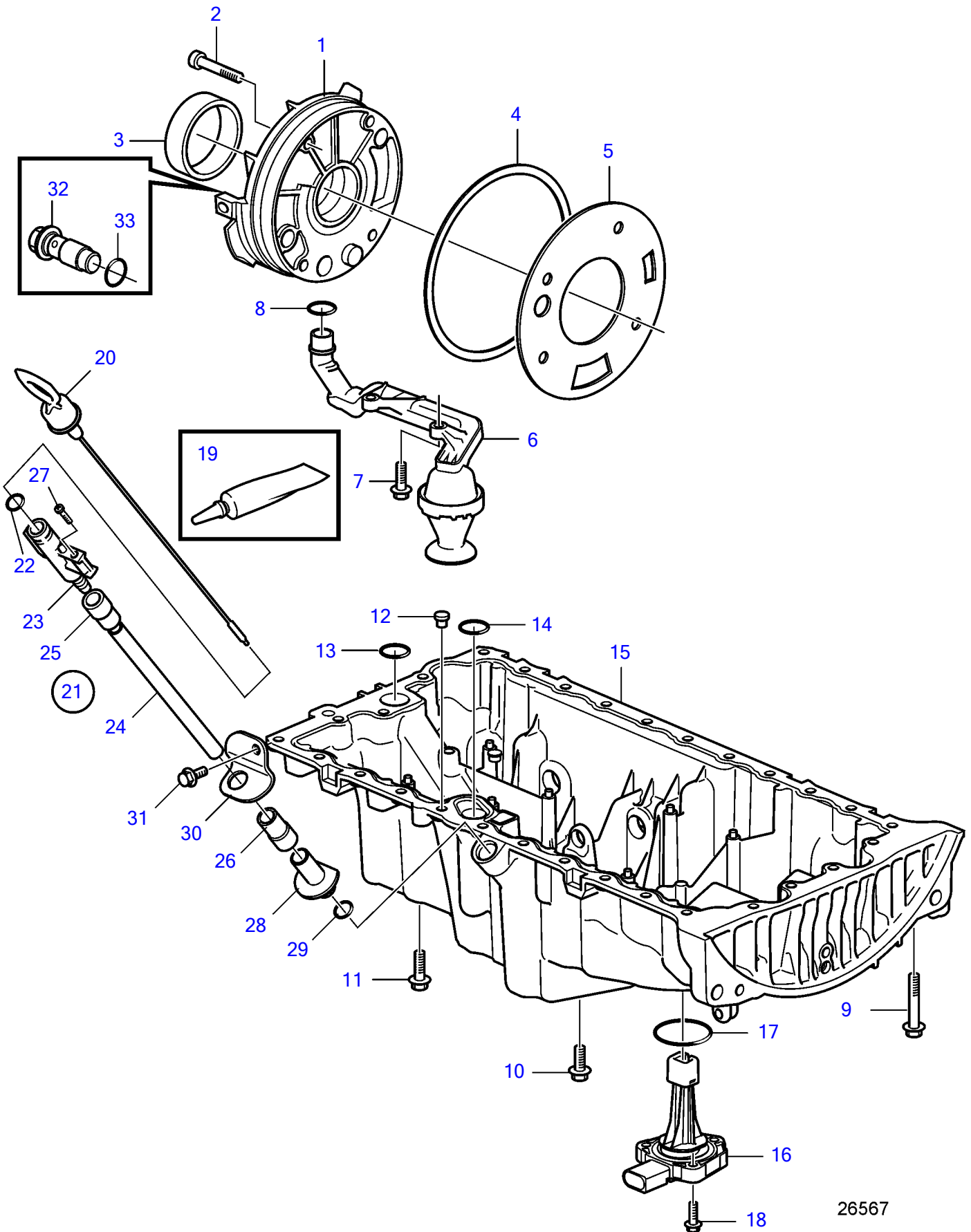


D3-110I-F, D3-140I-F, D3-140A-F, D3-150I-F, D3-170I-F, D3-170A-F, D3-200I-F, D3-200A-F, D3-220I-F, D3-220A-F



D3-110I-F, D3-140I-F, D3-140A-F, D3-150I-F, D3-170I-F, D3-170A-F, D3-200I-F, D3-200A-F, D3-220I-F, D3-220A-F

REF	PART NO.	QTY	DESCRIPTION	NOTES
1	30777092	1	Oil pump	
2	987348	4	6 point socket screw	
3	6842273	1	Lip seal	
4	981204	1	O-ring	
5	1275404	1	Gasket	
6	30777148	1	Suction line	
7	968158	2	Flange screw	
8	30637867	1	Sealing ring	
9	989850	3	Flange screw	M7x70mm
10	975880	22	Flange screw	M7x20mm
11	985322	4	Flange screw	M7x40mm
12	463963	1	Valve	
13	8642560	1	Sealing ring	
14	8631513	1	Sealing ring	
15	31339208	1	Oil sump	
16	31272687	1	Oil level sensor	
17	31219441	1	O-ring	
18	982759	3	Flange screw	M6x25mm
19	1161771	1	Sealing compound	50ml
20	3847530	1	Oil dipstick	
21	21666364	1	Pipe	
22	944124	1	• O-ring	
23		1	• Anchorage	
24		1	• Tube	
25	843533	1	• Rubber hose	
26	843533	1	Rubber hose	
27	975378	1	6 point socket screw	
28	21625925	1	Insert nipple	
29	968757	1	O-ring	
30	3847997	1	Bracket	
31	982775	1	Flange screw	M7x16mm
32	30750943	1	Piston cooling valve	
33	11998	1	Gasket	