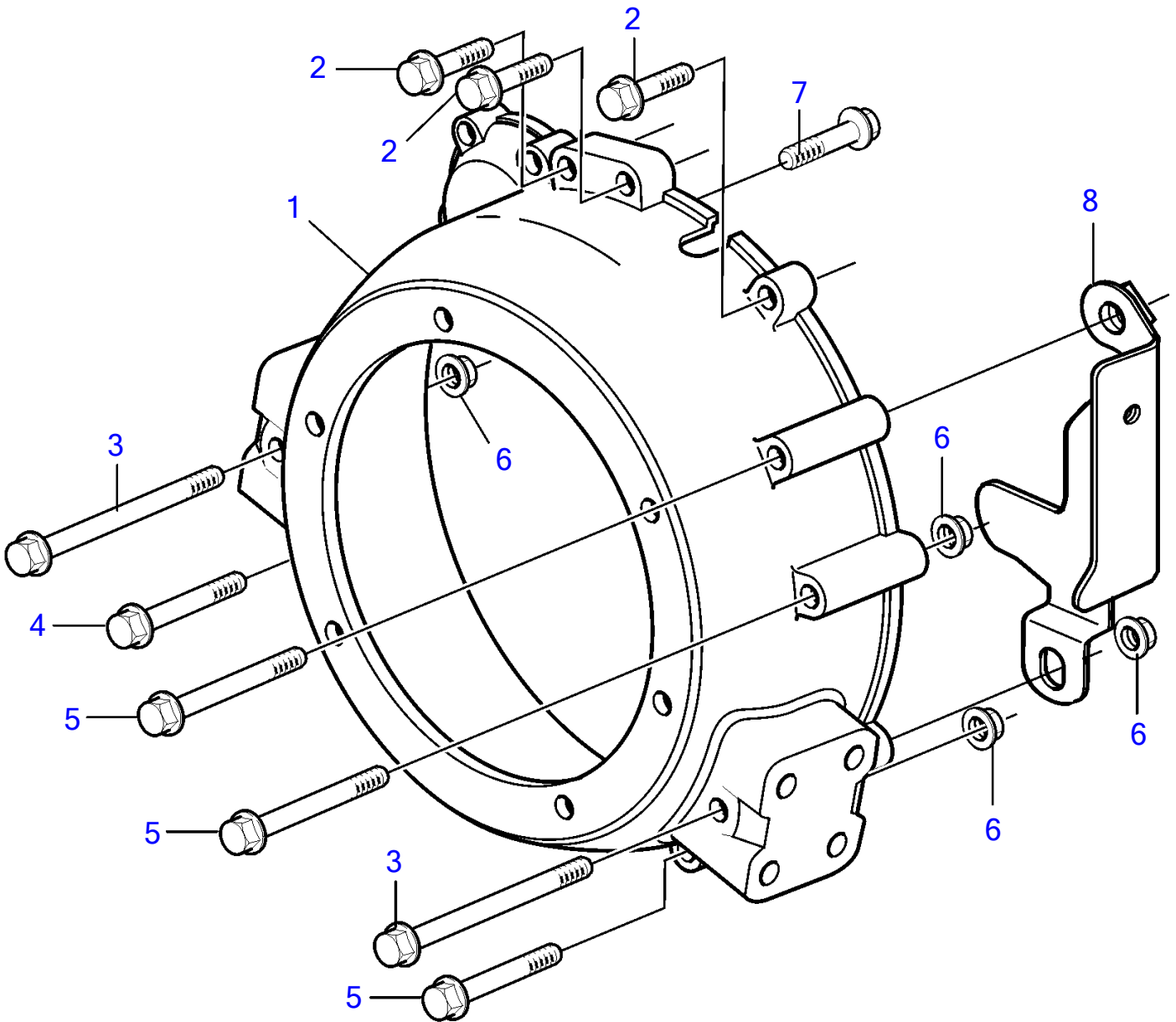


D3-110I-D, D3-110I-E, D3-110I-F, D3-150I-D, D3-150I-E, D3-150I-F, D3-170I-D, D3-170I-E, D3-170I-F, D3-200I-D, D3-200I-E, D3-200I-F, D3-220I-D, D3-220I-E, D3-220I-F



24878

D3-110I-D, D3-110I-E, D3-110I-F, D3-150I-D, D3-150I-E, D3-150I-F, D3-170I-D, D3-170I-E, D3-170I-F, D3-200I-D, D3-200I-E, D3-200I-F, D3-220I-D, D3-220I-E, D3-220I-F

REF	PART NO.	QTY	DESCRIPTION	NOTES
1	21274806	1	Flywheel housing	
2	965185	3	Flange screw	L=40mm
3	973098	2	Flange screw	L=150mm
4	965189	1	Flange screw	L=90mm
5	969313	3	Flange screw	L=110mm
6	971095	5	Flange nut	
7	965188	1	Flange screw	M10x70mm
8	40005031	1	Cover	