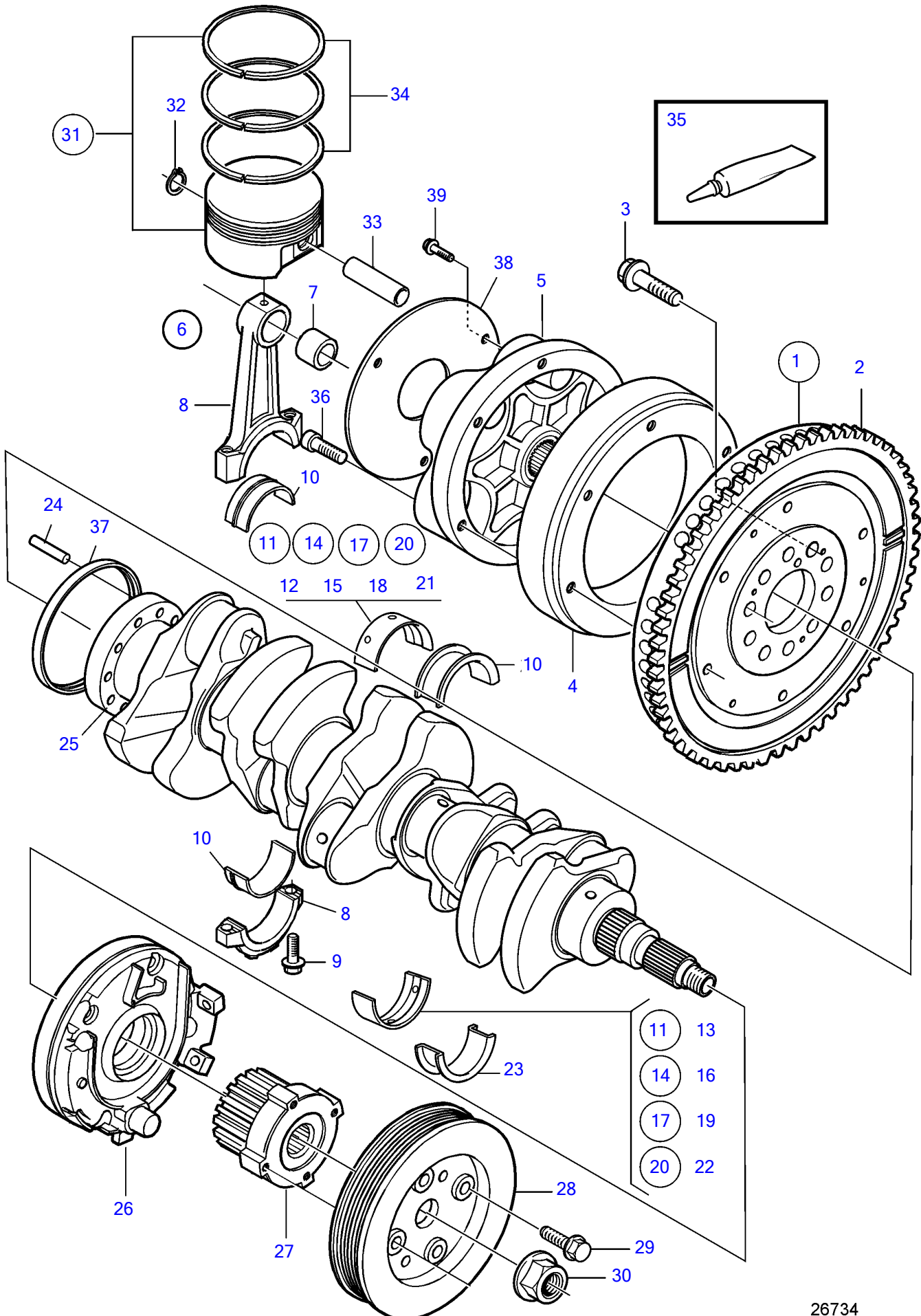


D3-110I-D, D3-110I-E, D3-150I-D, D3-150I-E, D3-170I-D, D3-170I-E, D3-200I-D, D3-200I-E, D3-220I-D, D3-220I-E



26734

Upd:2014-06-24

26734

7749500-21-35770

D3-110I-D, D3-110I-E, D3-150I-D, D3-150I-E, D3-170I-D, D3-170I-E, D3-200I-D, D3-200I-E, D3-220I-D, D3-220I-E

REF	PART NO.	QTY	DESCRIPTION	SEE SEC.	NOTES
1	21317215	1	Flywheel		Replaced by 21517500
	21517500	1	Flywheel		
2	3818641		• Gear ring		
3	9454743	10	Screw		
4	21429352	1	Adapter ring		
5	21416069	1	Flexible coupling		
6	30777189	5	Connecting rod		
7		1	• Bushing		
8		1	• Connecting rod		
9	9497858	2	• Screw		
10	31251996	1	Big-end bearing kit		
11	31251378	5	Main bearing		Without flange, red, See Workshop Manual
12	31330321	5	• Main bearing		Red, Without flange, upper, See workshop Manual
13	30777951	5	• Main bearing		Red, Without flange, lower, See workshop Manual
14	31251379	5	Main bearing		Without flange, yellow, See Workshop Manual
15	31330322	5	• Main bearing		Yellow, Without flange, upper, See workshop Manual
16	30777952	5	• Main bearing		Yellow, Without flange, lower, See workshop Manual
17	31251380	5	Main bearing		Without flange, blue, See Workshop Manual
18	31330323	5	• Main bearing		Blue, Without flange, upper, See workshop Manual
19	30777953	5	• Main bearing		Blue, Without flange, lower, See workshop Manual
20	31251381	5	Main bearing		Without flange green, See Workshop Manual
21	31330324	5	• Main bearing		Green, Without flange, upper, See workshop Manual
22	30777954	5	• Main bearing		Green, Without flange, lower, See workshop Manual
23	31251597	1	Thrust bearing		With flange, red, See Workshop Manual
	31251598	1	Thrust bearing		With flange, yellow, See Workshop Manual
	31251599	1	Thrust bearing		With flange, blue, See Workshop Manual
24	973660	1	Spring pin		
25	9465781	1	Crankshaft		
26	30777092	1	Oil pump		
27	1275366	1	Pulley		
28	30731865	1	Vibration damper		
29	975101		Flange screw		M10x30mm
30	3531111	1	Nut		
31	31251737	1	Piston		Class C, SN-2003015855
	31251738	1	Piston		Class D, SN-2003015855
	31251739	1	Piston		Class E, SN-2003015855
	31272195	1	Piston kit		Class C, SN2003015858-
	31272196	1	Piston kit		Class D, SN2003015858-
	31272197	1	Piston kit		Class E, SN2003015858-
32	(30777225)	1	• Lock ring		Obsolete part
33		1	• Piston pin		
34	30750678	1	Piston ring kit		
35	(598034)	1	Grease		Obsolete part
36	959230	6	Hex. socket screw		
37	9458178	1	Sealing ring		
38	21546260	1	Kit		Option, Extra mass, Replaced by 21752671
	21752671	1	Plate		
			• Installation Instruction 47700624	47700624-EN	Rubber Roller Kit
39	965185	3	Flange screw		

7749500-21-35770

26734

Upd:2014-06-24