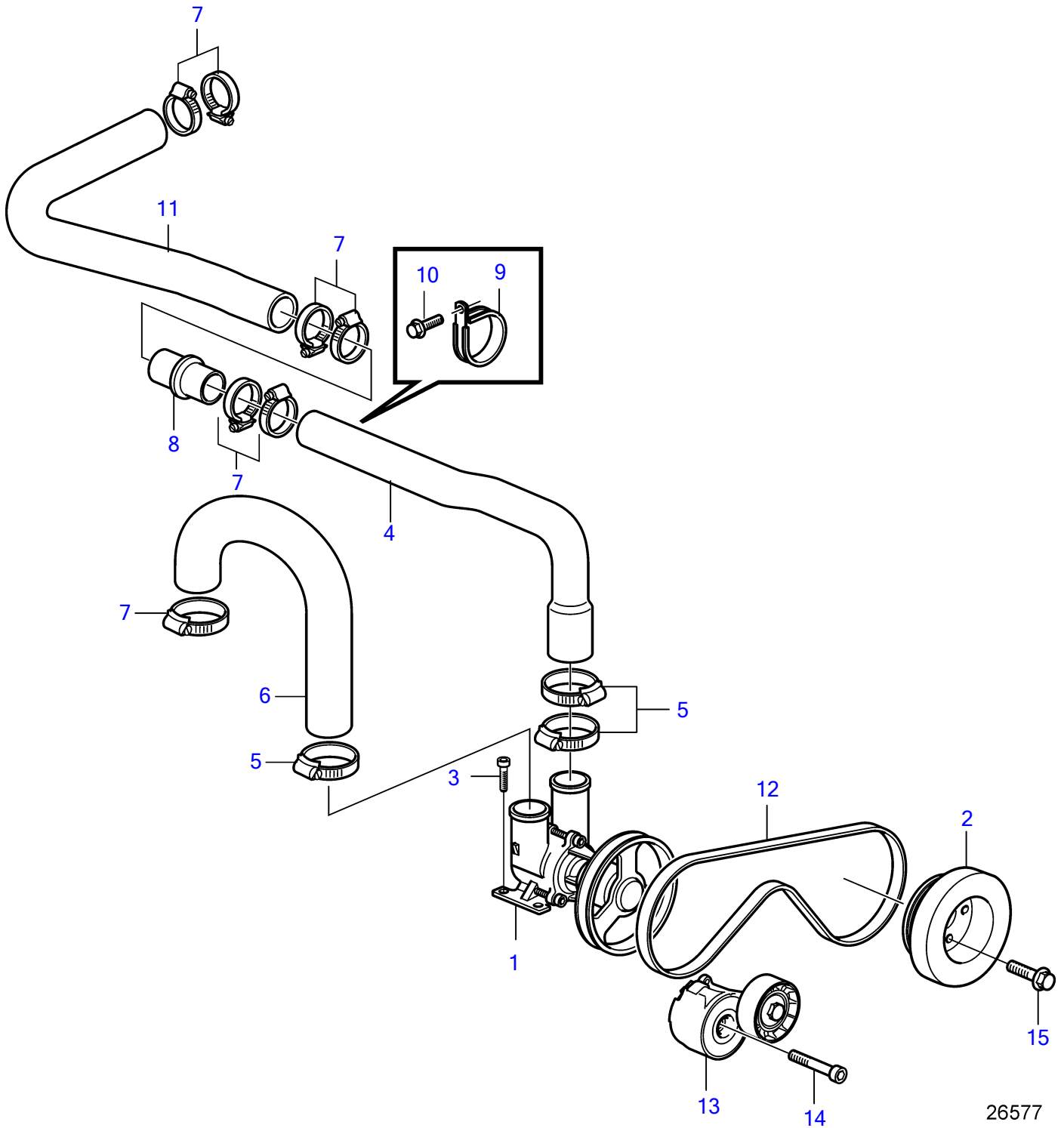


D3-110I-D, D3-110I-E, D3-110I-F, D3-150I-D, D3-150I-E, D3-150I-F, D3-170I-D, D3-170I-E, D3-170I-F, D3-200I-D, D3-200I-E, D3-200I-F, D3-220I-D, D3-220I-E, D3-220I-F



26577

D3-110I-D, D3-110I-E, D3-110I-F, D3-150I-D, D3-150I-E, D3-150I-F, D3-170I-D, D3-170I-E, D3-170I-F, D3-200I-D, D3-200I-E, D3-200I-F, D3-220I-D, D3-220I-E, D3-220I-F

REF	PART NO.	QTY	DESCRIPTION	SEE SEC.	NOTES
1		1	Sea water pump		
			.	35781	
2	21255747	1	Vibration damper		110-170 HP
3	959223	4	Hex. socket screw		M8x30mm
4	22371786	1	Hose		
5	961670	3	Hose clamp		
6	21162640	1	Hose		Sea water pump-intercooler.
7	994561	7	Hose clamp		
8	861090	1	Tube		
9	967645	1	Clamp		
10	946544	1	Flange screw		M6x16mm
11	22371868	1	Hose		To oil cooler.
12	21160912	1	V-ribbed belt		
13	21424647	1	Belt tensioner		
14	959245	1	Hex. socket screw		
15	975101	4	Flange screw		M10x40mm