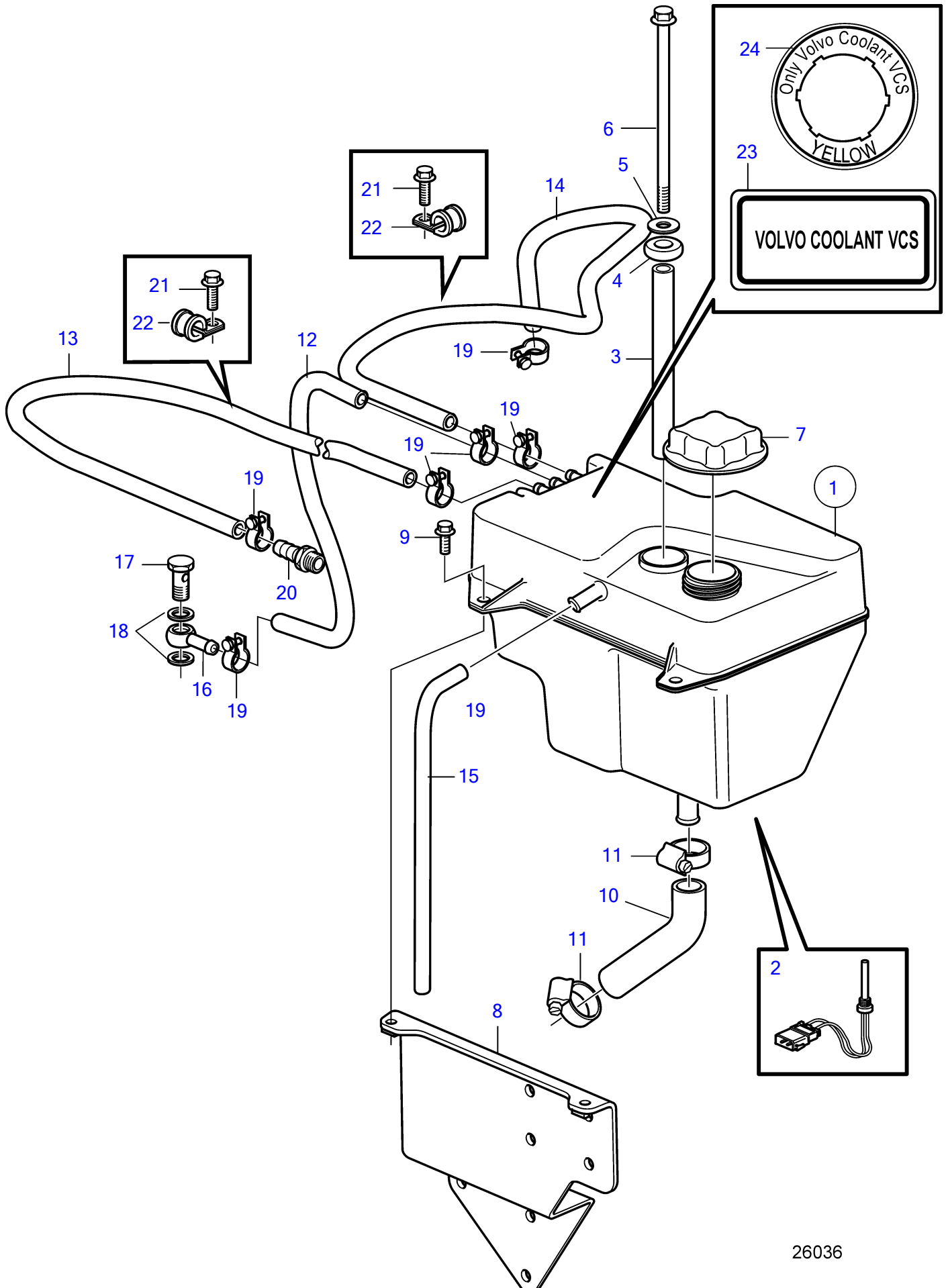


D3-110I-F, D3-140I-F, D3-140A-F, D3-150I-F, D3-170I-F, D3-170A-F, D3-200I-F, D3-200A-F, D3-220I-F, D3-220A-F



26036

D3-110I-F, D3-140I-F, D3-140A-F, D3-150I-F, D3-170I-F, D3-170A-F, D3-200I-F, D3-200A-F, D3-220I-F, D3-220A-F

REF	PART NO.	QTY	DESCRIPTION	NOTES
1	21666983	1	Expansion tank	
2	3547710	1	• Level guard	
3	993301	1	Spacer sleeve	
4	3285120	1	Spacer sleeve	
5	976944	1	Washer	
6	20797255	1	Flange screw	M8x150mm
7	1674083	1	Pressure cap	
8	21142689	1	Bracket	
9	946501	2	Flange screw	M8x20mm
10	21162074	1	Hose	Coolant hose.
11	961665	2	Hose clamp	
12	942700	X	Hose	L=260mm
13	942700	X	Hose	L=680mm
14	942700	X	Hose	L=680mm
15	942754	1	Hose	
16	858750	1	Banjo nipple	
17	969299	1	Hollow screw	
18	11994	2	Gasket	
19	945652	5	Hose clamp	
20	21332988	1	Hose nipple	
21	946501	2	Flange screw	M6x12mm
22	952627	2	Clamp	
23	20777630	1	Label	
24	21506995	1	Label	