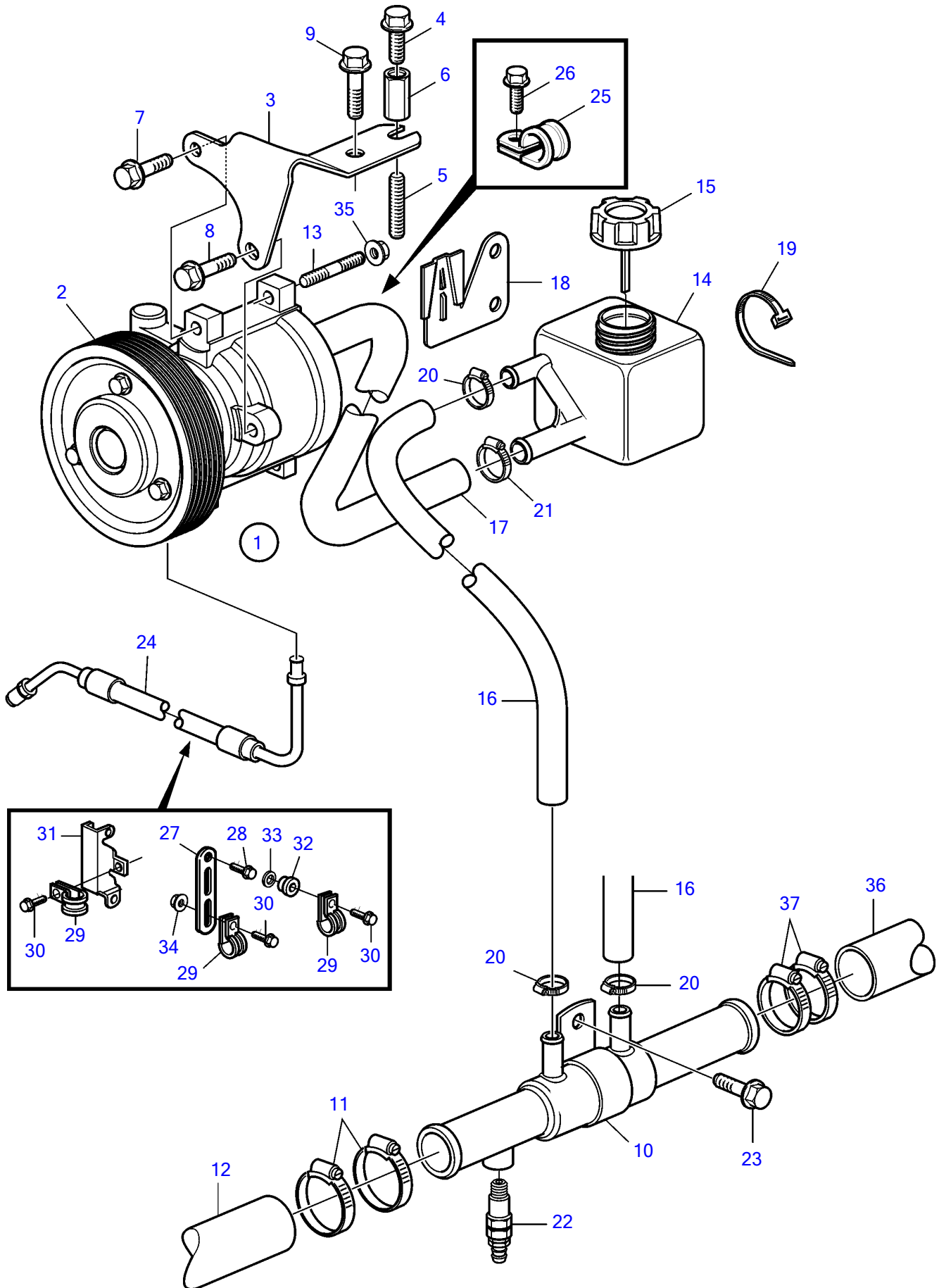


D3-130A-A, D3-130A-B, D3-130A-C, D3-160A-A, D3-160A-B, D3-160A-C, D3-190A-B, D3-190A-C



D3-130A-A, D3-130A-B, D3-130A-C, D3-160A-A, D3-160A-B, D3-160A-C, D3-190A-B, D3-190A-C

| REF | PART NO. | QTY | DESCRIPTION | NOTES |
|-----|----------|-----|-------------------------|------------------|
| 1 | 22297931 | 1 | Power steering pump | |
| 2 | 3583030 | 1 | Pulley | |
| 3 | 3584471 | 1 | Bracket | |
| 4 | 947107 | 1 | Flange screw | For ground cable |
| 5 | 953045 | 1 | Stud | For ground cable |
| 6 | 855314 | 1 | Spacer nut | For ground cable |
| 7 | 946440 | 1 | Flange screw | |
| 8 | 946440 | 1 | Flange screw | |
| 9 | 945444 | 1 | Flange screw | |
| 10 | 3808545 | 1 | Oil cooler | |
| 11 | 961670 | 2 | Hose clamp | |
| 12 | 3584356 | 1 | Hose | |
| 13 | 953047 | 2 | Stud | |
| 14 | 6819752 | 1 | Reservoir | |
| 15 | 1359625 | 1 | • Cover | |
| 16 | 872217 | 2 | Return hose | |
| 17 | 941995 | 1 | Hose | L=1.5m |
| 18 | 856768 | 1 | Bracket | |
| 19 | 948211 | 1 | Cable tie | |
| 20 | 961664 | 3 | Hose clamp | |
| 21 | 943472 | 2 | Hose clamp | |
| 22 | 949918 | 1 | Shut-off cock | |
| 23 | 946440 | 1 | Flange screw | |
| 24 | 3588362 | 1 | Hose, steering cylinder | |
| 25 | 952637 | 1 | Clamp | |
| 26 | 946934 | 1 | Flange screw | |
| 27 | 965541 | 1 | Bracket | |
| 28 | 981177 | 1 | Flange screw | |
| 29 | 952631 | 3 | Clamp | |
| 30 | 967949 | 3 | Flange screw | |
| 31 | 3587913 | 1 | Protecting plate | |
| 32 | 3588129 | 1 | Plug | |
| 33 | 11998 | 1 | Gasket | |
| 34 | 945407 | 1 | Flange nut | |
| 35 | 945408 | 2 | Flange nut | |
| 36 | 3584445 | 1 | Hose | |
| 37 | 993963 | 2 | Hose clamp | |