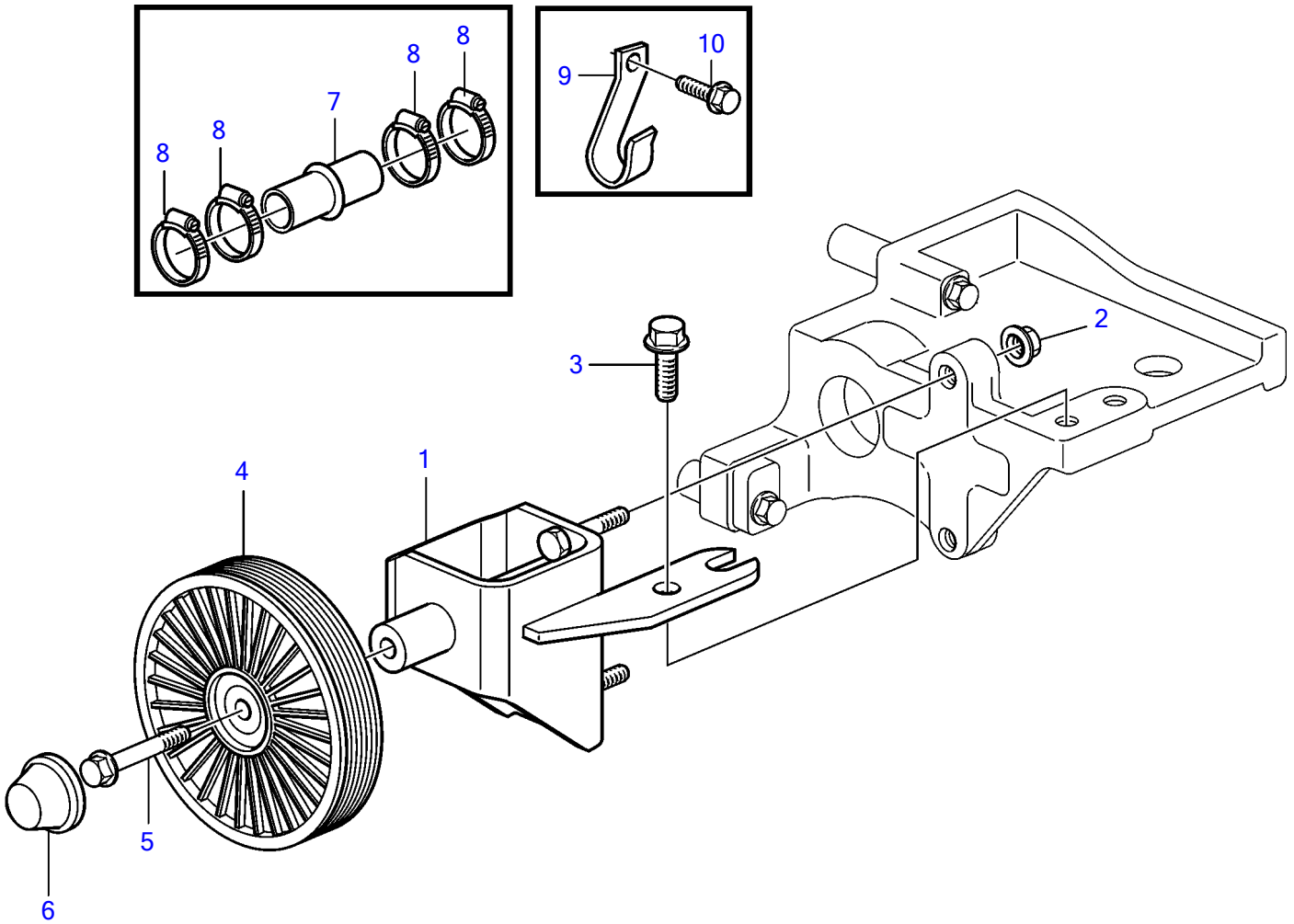


D3-110I-A, D3-110I-B, D3-110I-C, D3-130A-A, D3-130I-A, D3-130A-B, D3-130I-B, D3-130A-C, D3-130I-C, D3-160A-A, D3-160I-A, D3-160A-B, D3-160I-B, D3-160A-C, D3-160I-C, D3-190A-B, D3-190I-B, D3-190A-C, D3-190I-C



22865

D3-110I-A, D3-110I-B, D3-110I-C, D3-130A-A, D3-130I-A, D3-130A-B, D3-130I-B, D3-130A-C, D3-130I-C, D3-160A-A, D3-160I-A, D3-160A-B, D3-160I-B, D3-160A-C, D3-160I-C, D3-190A-B, D3-190I-B, D3-190A-C, D3-190I-C

REF	PART NO.	QTY	DESCRIPTION	NOTES
1	3887324	1	Adapter	
2	945408	2	Flange nut	
3	945444	1	Flange screw	M8x25mm
4	9458470	1	Pulley	
5	965186	1	Flange screw	M10x50mm
6	9125572	1	Cover	
7	861090	1	Tube	
8	994561	4	Hose clamp	
9	3580798	1	Clamp	
10	944926	1	Flange screw	