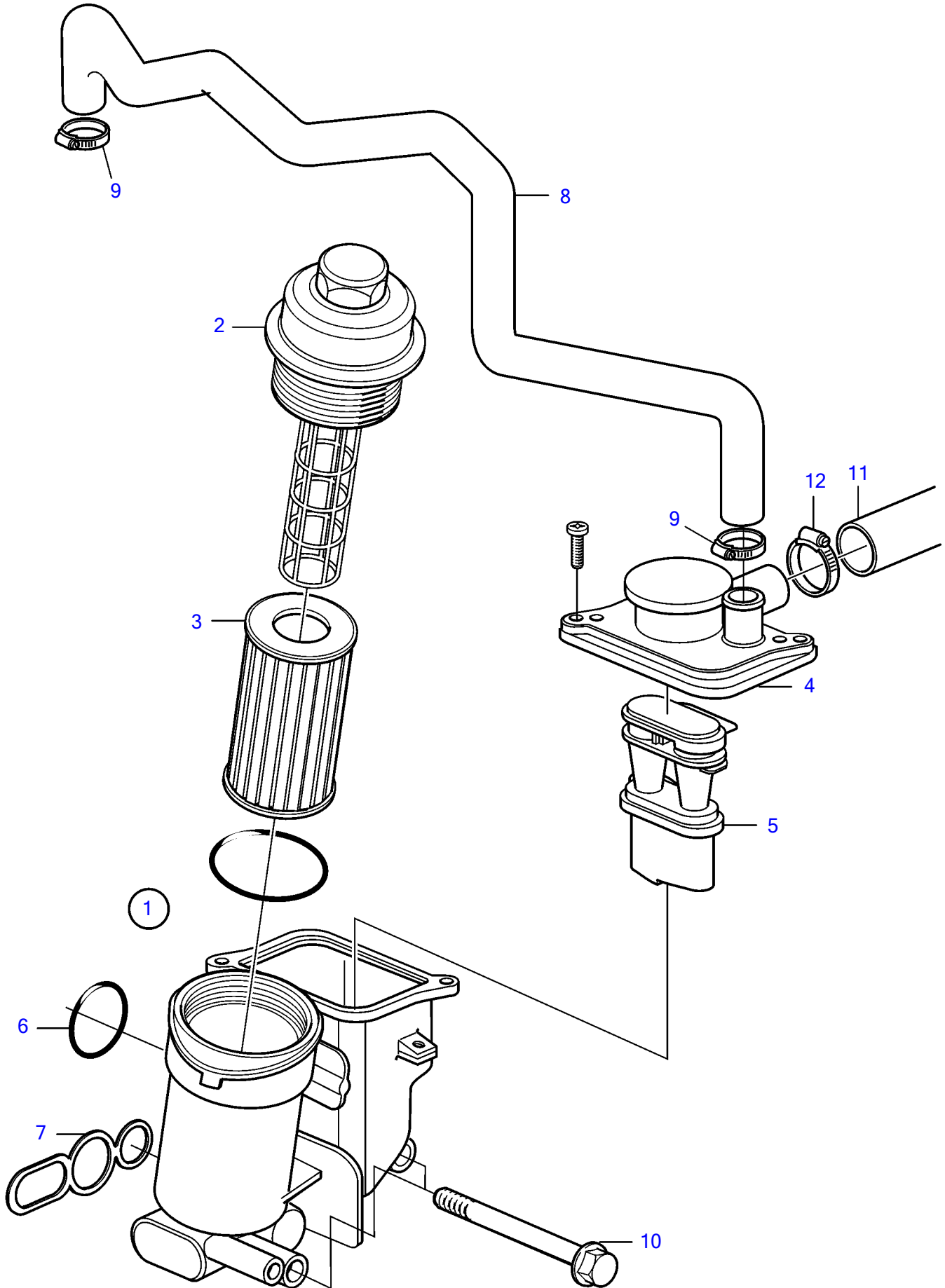


D3-110I-B, D3-110I-C, D3-130A-B, D3-130I-B, D3-130A-C, D3-130I-C, D3-160A-B, D3-160I-B, D3-160A-C, D3-160I-C, D3-190A-B, D3-190I-B, D3-190A-C, D3-190I-C



D3-110I-B, D3-110I-C, D3-130A-B, D3-130I-B, D3-130A-C, D3-130I-C, D3-160A-B, D3-160I-B, D3-160A-C, D3-160I-C,  
D3-190A-B, D3-190I-B, D3-190A-C, D3-190I-C

REF	PART NO.	QTY	DESCRIPTION	NOTES
1	30677920	1	Oil filter	
2	8692306	1	• Cover	
3	8692305	1	• Oil filter	
4	8642424	1	• Valve	
5		1	• Oil separator	Order 30677920, oil filter house.
6	8642828	1	• Seal	
7	8642421	1	• Seal	
8	8653562	1	Hose	
9		2	Hose clamp	
10	982781	4	Flange screw	
11	3817387	1	Hose, crankcase vent.	
12	943473	2	Hose clamp	