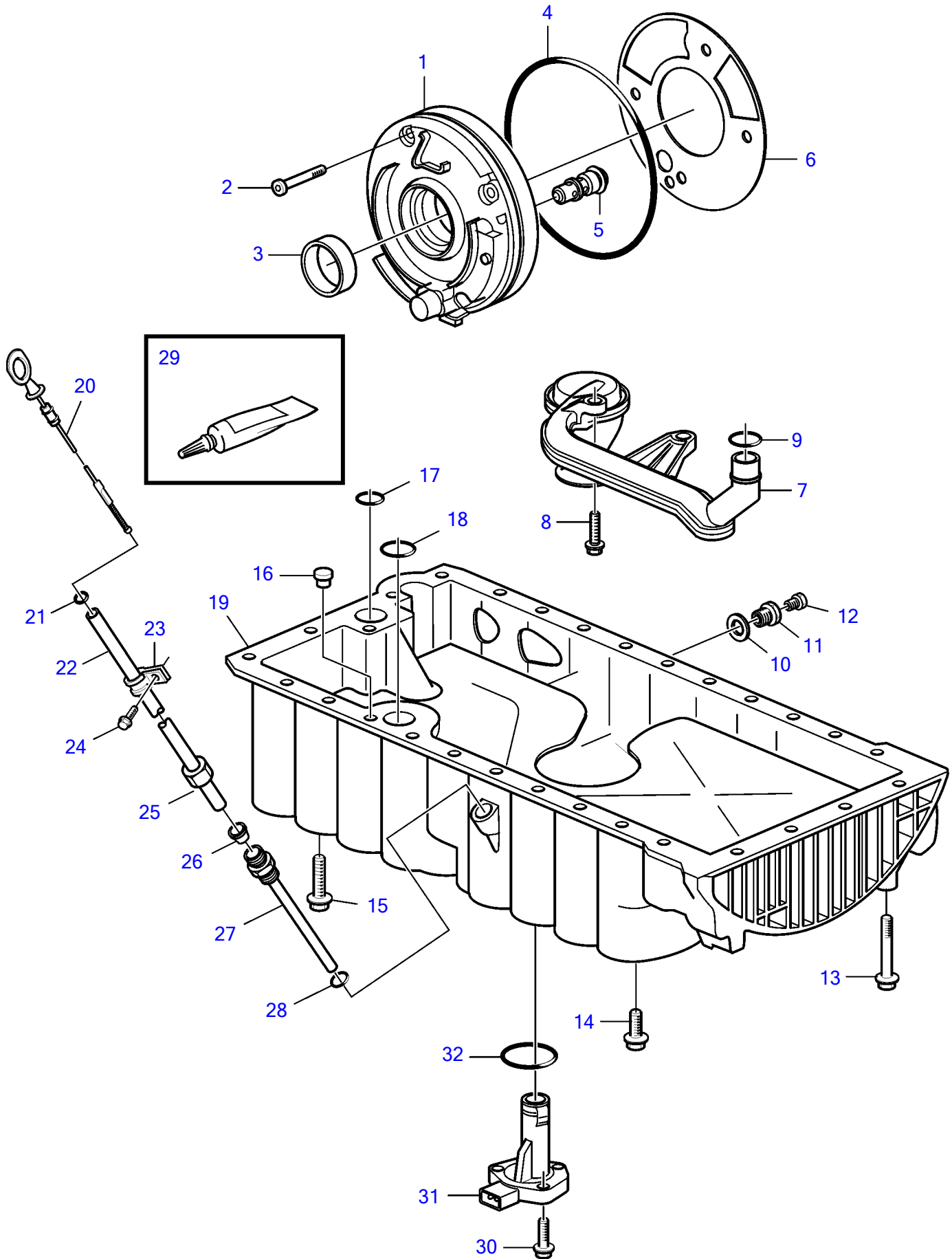


D3-110I-B, D3-110I-C, D3-130A-B, D3-130I-B, D3-130A-C, D3-130I-C, D3-160A-B, D3-160I-B, D3-160A-C, D3-160I-C, D3-190A-B, D3-190I-B, D3-190A-C, D3-190I-C



D3-110I-B, D3-110I-C, D3-130A-B, D3-130I-B, D3-130A-C, D3-130I-C, D3-160A-B, D3-160I-B, D3-160A-C, D3-160I-C, D3-190A-B, D3-190I-B, D3-190A-C, D3-190I-C

| REF | PART NO. | QTY | DESCRIPTION          | NOTES   |
|-----|----------|-----|----------------------|---|
| 1   | 30637377 | 1   | Oil pump             | SN-334746, Repl by 30777092   |
|     | 30777092 | 1   | Oil pump             | SN334747-   |
| 2   | 980880   | 4   | 6 point socket screw |   |
| 3   | 6842273  | 1   | Lip seal             |   |
| 4   | 981204   | 1   | O-ring               |   |
| 5   | 30677893 | 1   | Piston cooling valve | SN-350113   |
|     | 30750943 | 1   | Piston cooling valve | SN350114-   |
| 6   | 1275404  | 1   | Gasket               |   |
| 7   | 30650552 | 1   | Suction line         |   |
| 8   | 968158   | 2   | Flange screw         |   |
| 9   | 30637867 | 1   | Sealing ring         |   |
| 10  | 11998    | 1   | Gasket               | For servo pump.   |
| 11  | 3588129  | 1   | Plug                 | For servo pump.   |
| 12  |          | 1   | Screw                | For servo pump.   |
| 13  | 980092   | 4   | Flange screw         |   |
| 14  | 975880   | 22  | Flange screw         |   |
| 15  | 985322   | 3   | Flange screw         |   |
| 16  | 463963   | 1   | Valve                |   |
| 17  | 8642560  | 1   | Sealing ring         |   |
| 18  | 8631513  | 1   | Sealing ring         |   |
| 19  | 8670460  | 1   | Sump                 | SN-334746   |
|     | 30713677 | 1   | Sump                 | SN334747-, Repl by 30777966   |
|     | 30777966 | 1   | Sump                 | SN334747-   |
| 20  | 3883471  | 1   | Dipstick             |   |
| 21  | 960155   | 1   | O-ring               |   |
| 22  | 3883490  | 1   | Tube                 |   |
| 23  | 952627   | 1   | Clamp                |   |
| 24  | 946544   | 1   | Flange screw         |   |
| 25  | 956984   | 1   | Fitting nut          |   |
| 26  | 980782   | 1   | Ferrule              |   |
| 27  | 21163590 | 1   | Suction pipe         | Replaced by 21163590  |
| 28  | 958226   | 1   | O-ring               |   |
| 29  | 1161059  | 1   | Sealing compound     | 50ml, SN-2003004563, SN2003004843, SN2003004845, SN2003004852, SN2003004853, SN2003004857 |
|     | 1161771  | 1   | Sealing compound     | SN2003004734-   |
| 30  | 947542   | 3   | Flange screw         |   |
| 31  | 30750939 | 1   | Sensor               | Repl by 30774625  |
|     | 30774625 | 1   | Level sensor         |   |
| 32  | 8675328  | 1   | O-ring               |   |