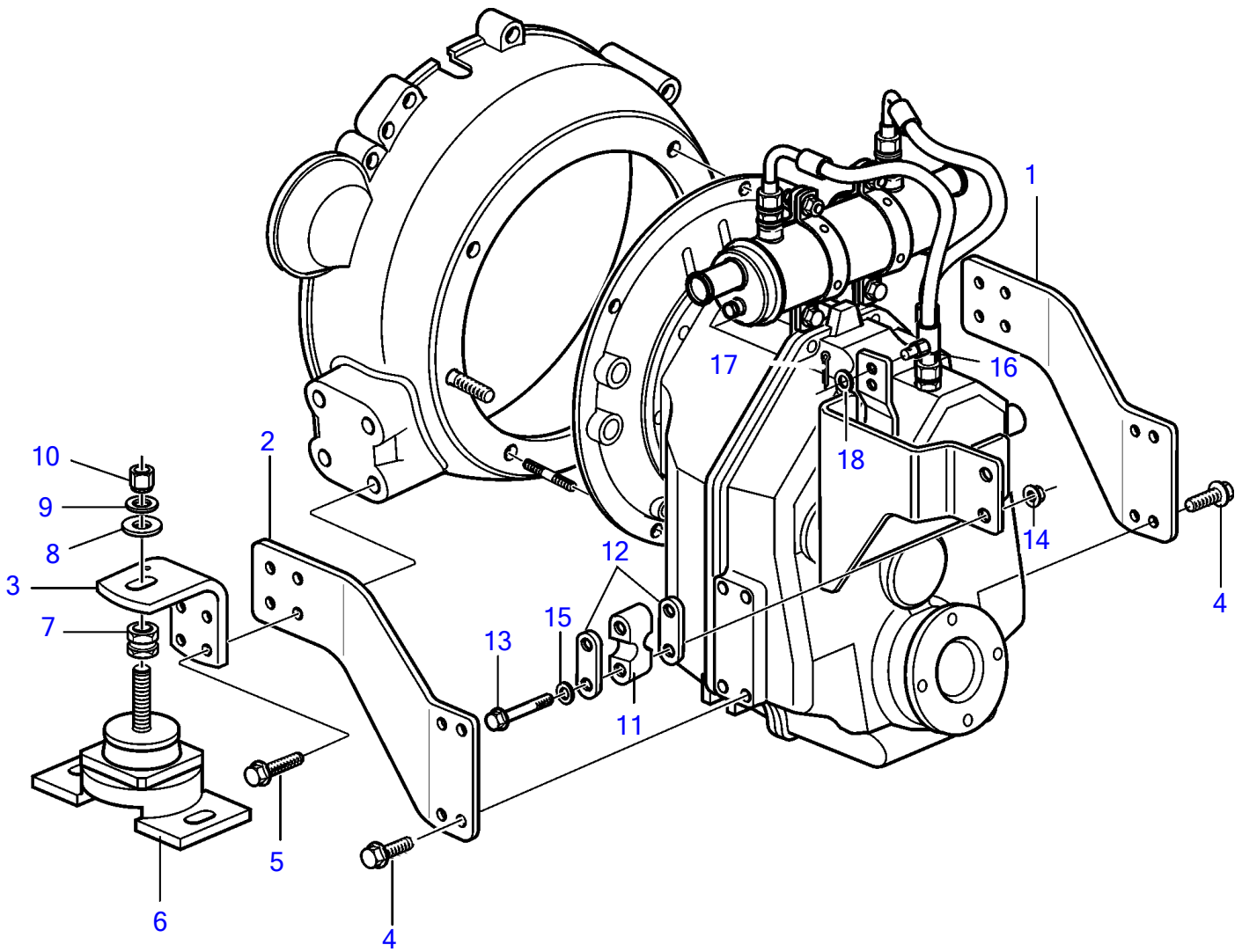


D3-110I-A, D3-110I-B, D3-110I-C, D3-130I-A, D3-130I-B, D3-130I-C, D3-160I-A, D3-160I-B, D3-160I-C, D3-190I-B, D3-190I-C



22705

D3-110I-A, D3-110I-B, D3-110I-C, D3-130I-A, D3-130I-B, D3-130I-C, D3-160I-A, D3-160I-B, D3-160I-C, D3-190I-B, D3-190I-C

REF	PART NO.	QTY	DESCRIPTION	NOTES
1	3817416	1	Bracket	
2	3817414	1	Bracket	
3	3817418	2	Engine bracket	
4	965191	8	Flange screw	M12x30mm
5	965227	8	Flange screw	M12x55mm
6	3842098	2	Rubber cushion	
7	3826709	2	Adjusting sleeve	
8	3832907	2	Spacer	
9	955900	2	Washer	
10	963110	2	Lock nut	
11	872074	1	Retainer	
12	872076	2	Washer	
13	969439	1	6 point socket screw	M5x40mm
14	949874	1	Flange lock nut	
15	940090	2	Washer	
16	3852329	1	Cube	
17	17276	1	Split pin	
18	941906	1	Spring washer	