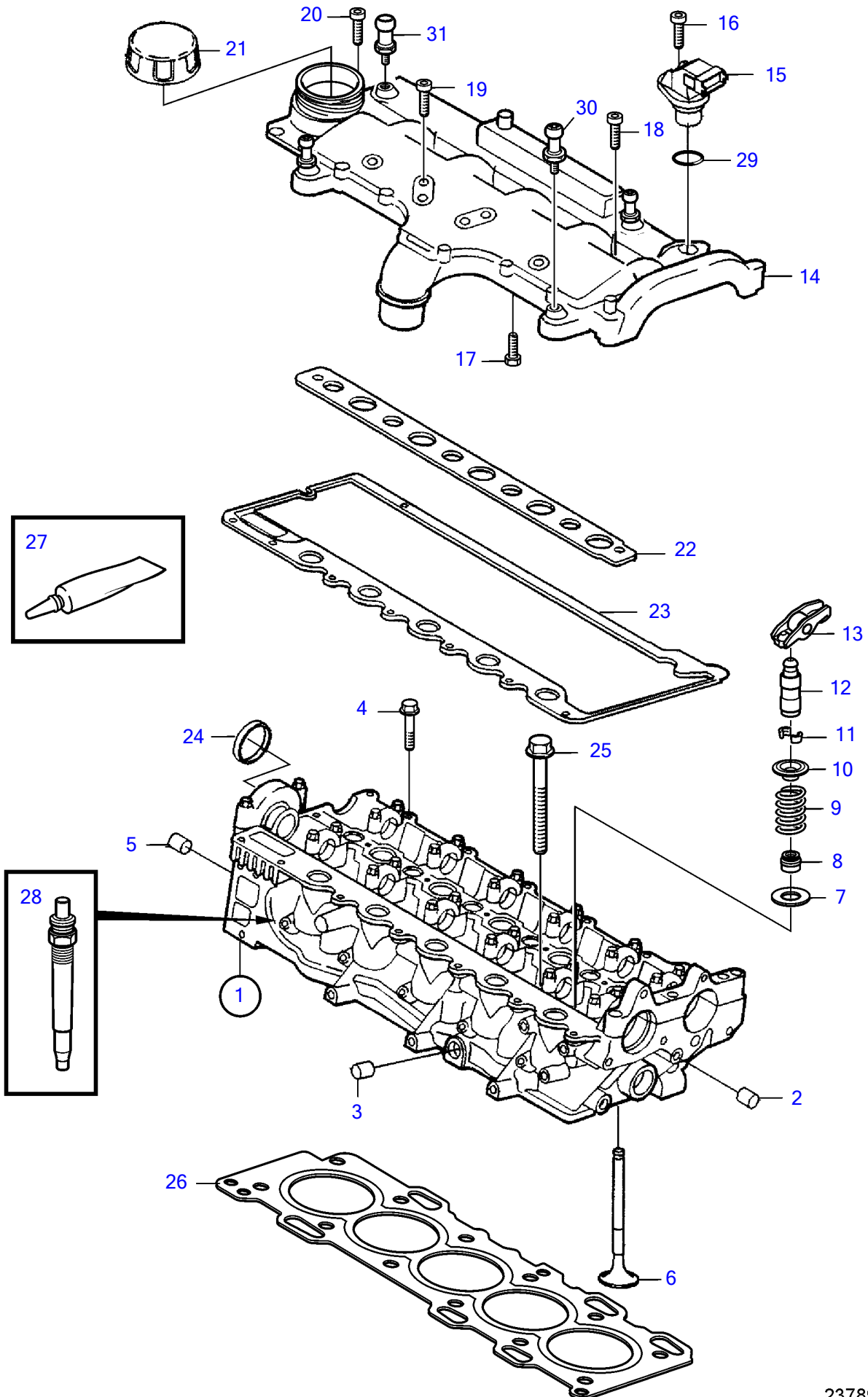


D3-110I-A, D3-130A-A, D3-130I-A, D3-160A-A, D3-160I-A



D3-110I-A, D3-130A-A, D3-130I-A, D3-160A-A, D3-160I-A

REF	PART NO.	QTY	DESCRIPTION	NOTES
1	3803856	1	Cylinder head	(3803647)
2	946780	1	• Cap plug	
3	946779	2	• Cap plug	
4	965212	24	• Flange screw	M6x35mm
5	981713	3	• Plug	
6	8631650	10	• Inlet valve, intake	
	8631651	10	• Exhaust valve, exhaust	
7	8631655	20	• Valve spring washer	
8	8631652	20	• Valve stem seal	
9	8631656	20	• Valve spring	
10	8631654	20	• Valve spring washer	
11	9454613	40	• Valve collet	
12	31251885	20	Pivot	
13	8670045	20	Tappet	
14	8692397	1	Valve cover	
15	8631533	1	Camshaft position se	
16	986214	1	6 point socket screw	
17	982483	3	6 point socket screw	M6x14
18	982484	19	6 point socket screw	M6x20mm
19	982486	4	6 point socket screw	M6x45
20		11	Flange screw	
21	1275403	1	Oil filler cap	
22	8642665	1	Gasket	
23	8692438	1	Gasket	
24	8631561	1	Sealing ring	
25	9497825	12	Screw, cylinder head	
26	30731261	1	Cylinder head gasket	Gasket with 1 hole., Class A, (30650521)
	30731262	1	Cylinder head gasket	Gasket with 2 hole., Class B, (30650522)
	30731263	1	Cylinder head gasket	Gasket with 3 hole., Class C, (30650523)
	30650524	1	Gasket	Gasket with 4 hole., Class D
	30650525	1	Gasket	Gasket with 5 hole., Class E
27	1161059	1	Sealing compound	SN-2003004733, SN2003004843, SN2003004845, SN2003004852, SN2003004853, SN2003004857
	1161771	1	Sealing compound	SN2003004734-
28	8631607	5	Glow plug	12V, SOLAS
29	30756062	1	O-ring	
30	30731216	3	Stud bolt	
31	3812606	1	Ball stud	