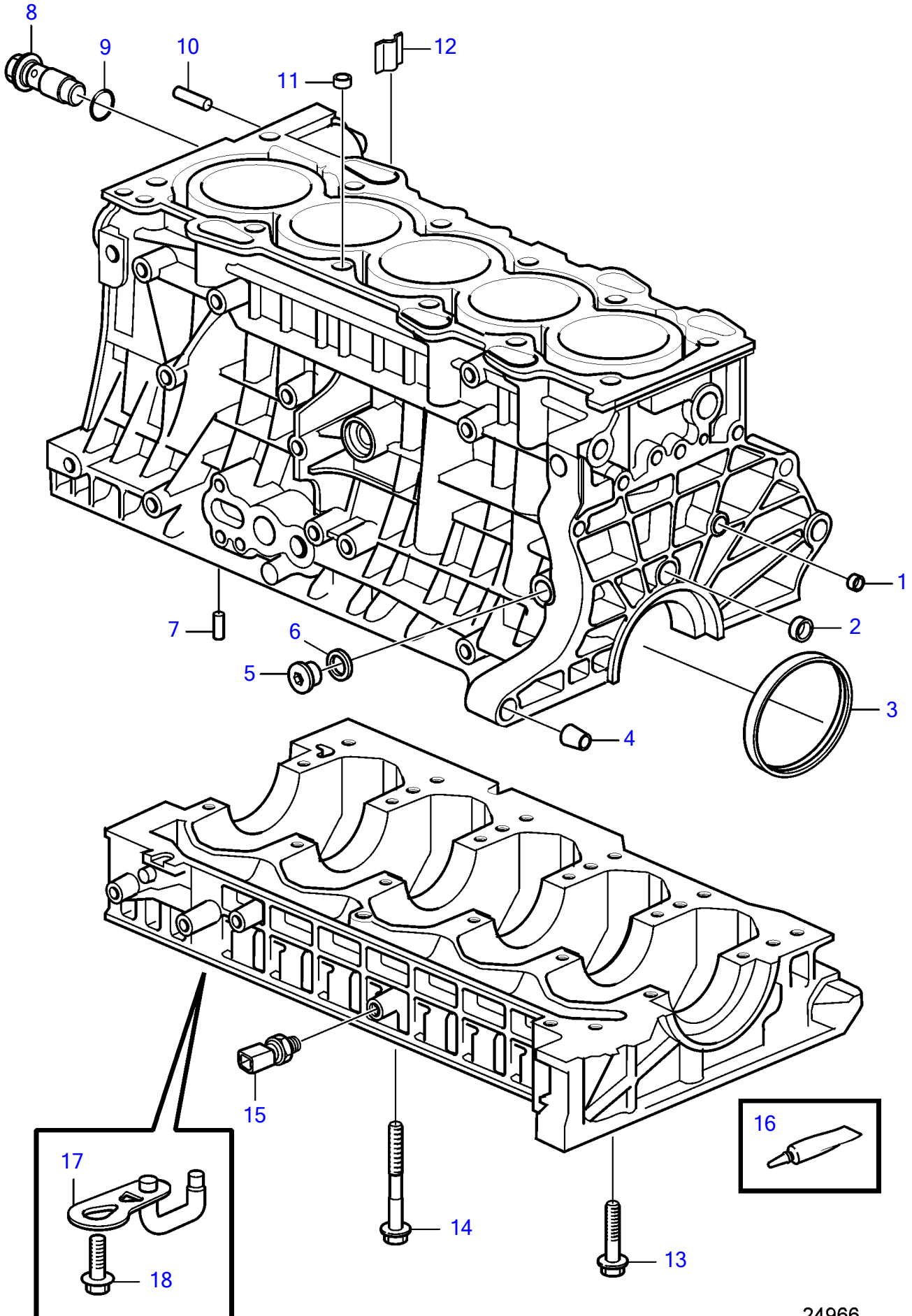


D3-110I-B, D3-110I-C, D3-130A-B, D3-130I-B, D3-130A-C, D3-130I-C, D3-160A-B, D3-160I-B, D3-160A-C, D3-160I-C, D3-190A-B, D3-190I-B, D3-190A-C, D3-190I-C



D3-110I-B, D3-110I-C, D3-130A-B, D3-130I-B, D3-130A-C, D3-130I-C, D3-160A-B, D3-160I-B, D3-160A-C, D3-160I-C, D3-190A-B, D3-190I-B, D3-190A-C, D3-190I-C

REF	PART NO.	QTY	DESCRIPTION	NOTES
1	981713	1	Plug	
2	8687868	1	Cap plug	(9687868)
3	9458178	1	Sealing ring	
4	1256394	2	Guide sleeve	
5	30713237	1	Plug	
6	11996	1	Gasket	
7	1383730	5	Locating pin	
8	30677893	1	Piston cooling valve	SN-350113
	30750943	1	Piston cooling valve	SN350114-
9	11998	1	Gasket	
10	950542	2	Pin	
11	1366129	2	Guide sleeve	
12	8631501	1	Guide rail	
13	973905	5	Flange screw	SN-334283, Replaced by 982785
	982785	5	Flange screw	SN334284-
14	8631499	12	Flange screw	SN-334281
	31368044	12	Screw	SN334282-
15	3545696	1	Oil pressure gauge	
16	1161059	1	Sealing compound	SN-2003004733, SN2003004843, SN2003004845, SN2003004852, SN2003004853, SN2003004857
	1161771	1	Sealing compound	SN2003004734-
17	30750790	5	Piston cooling jet	
18	975880	5	Flange screw	