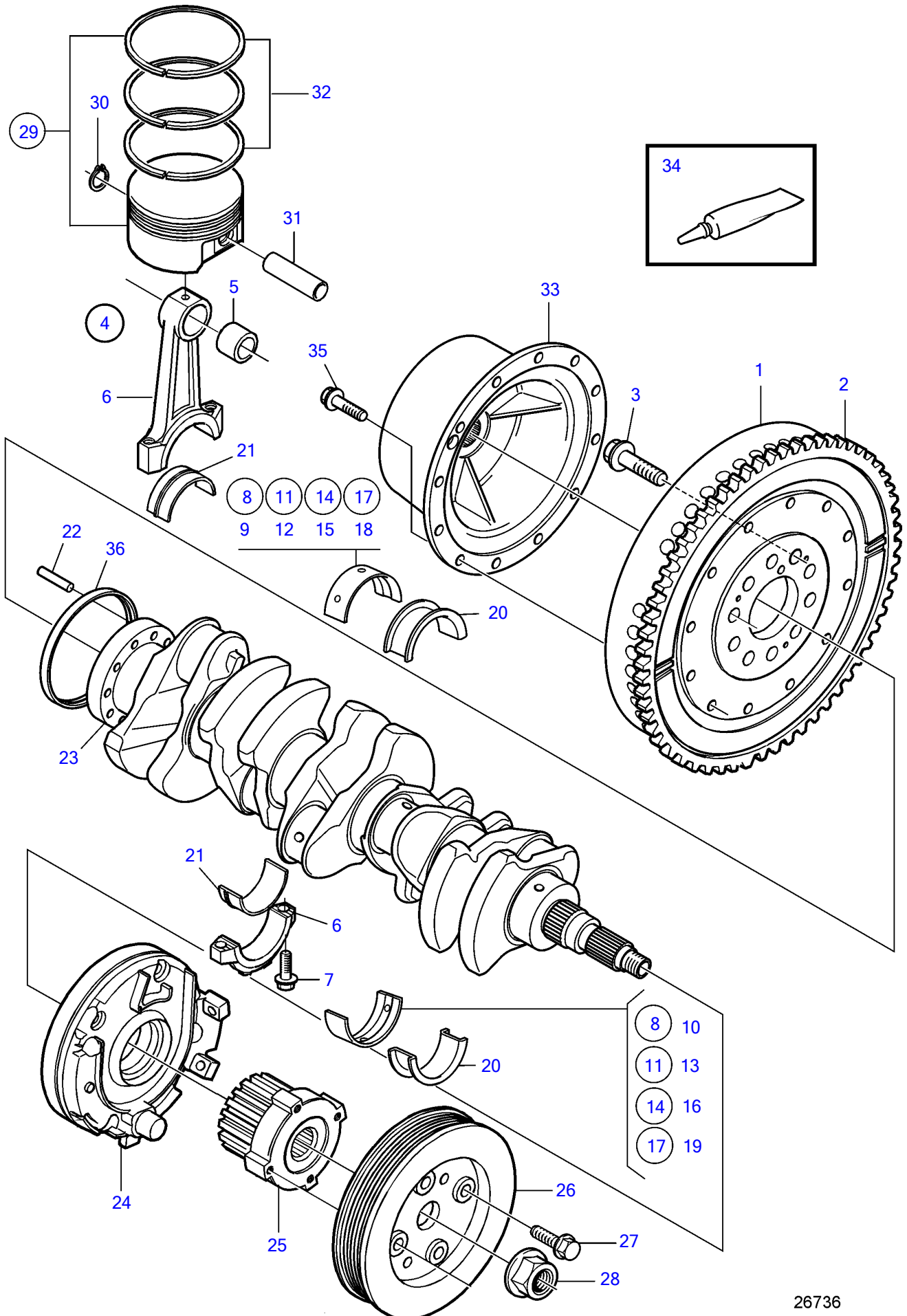


D3-130A-A, D3-160A-A



26736

## D3-130A-A, D3-160A-A

REF	PART NO.	QTY	DESCRIPTION	SEE SEC.	NOTES
1	3818392	1	Flywheel		Replaced by 21317215
	21317215	1	Flywheel		Replaced by 21517500
	21517500	1	Flywheel		
2	3818641		• Gear ring		
3	9454743	10	Screw		
4	30777189	5	Connecting rod		
5		1	• Bushing		
6		1	• Connecting rod		
7	9497858	2	• Screw		
8	(274482)	1	Main bearing kit, complete		Include all main bearings needed for overhauling the engine, Obsolete part
	31251577	5	Main bearing		Without flange, red, SN-2003015290, See Workshop Manual
	31251378	5	Main bearing		Without flange, red, SN2003015291-, See Workshop Manual
9	31330321	5	• Main bearing		Red, Without flange, upper, See workshop Manual
10	30777951	5	• Main bearing		Red, Without flange, lower, See workshop Manual
11	31251578	5	Main bearing		Without flange, yellow, SN-2003015290, See Workshop Manual
	31251379	5	Main bearing		Without flange, yellow, SN2003015291-, See Workshop Manual
12	31330322	5	• Main bearing		Yellow, Without flange, upper, See workshop Manual
13	30777952	5	• Main bearing		Yellow, Without flange, lower, See workshop Manual
14	31251579	5	Main bearing		Without flange, blue, SN-2003015290, See Workshop Manual
	31251380	5	Main bearing		Without flange, blue, SN2003015291-, See Workshop Manual
15	31330323	5	• Main bearing		Blue, Without flange, upper, See workshop Manual
16	30777953	5	• Main bearing		Blue, Without flange, lower, See workshop Manual
17	31251580	5	Main bearing		Without flange green, SN-2003015290
	31251381	5	Main bearing		Without flange green, SN2003015291-
18	31330324	5	• Main bearing		Green, Without flange, upper, See workshop Manual
19	30777954	5	• Main bearing		Green, Without flange, lower, See workshop Manual
20	31251597	1	Thrust bearing		With flange, red, See Workshop Manual
	31251598	1	Thrust bearing		With flange, yellow, See Workshop Manual
	31251599	1	Thrust bearing		With flange, blue, See Workshop Manual
21	9180722	5	Big-end bearing kit		
22	973660	1	Spring pin		
23	9465781	1	Crankshaft		
24		1	Oil pump	6342	
25	1275366	1	Pulley		
26	30731865	1	Vibration damper		(30637335)
27	3531111	1	Nut		
28	969445	4	Flange screw		
29	30750764	1	Piston kit		Class C
	30750765	1	Piston kit		Class D
	30750766	1	Piston kit		Class E
30		1	• Lock ring		
31		1	• Piston pin		
32	30731740	1	Piston ring kit		Std
33	3851964	1	Flexible coupling		
34	(598034)	1	Grease		Obsolete part
35	946671	12	Flange screw		
36	9458178	1	Sealing ring		