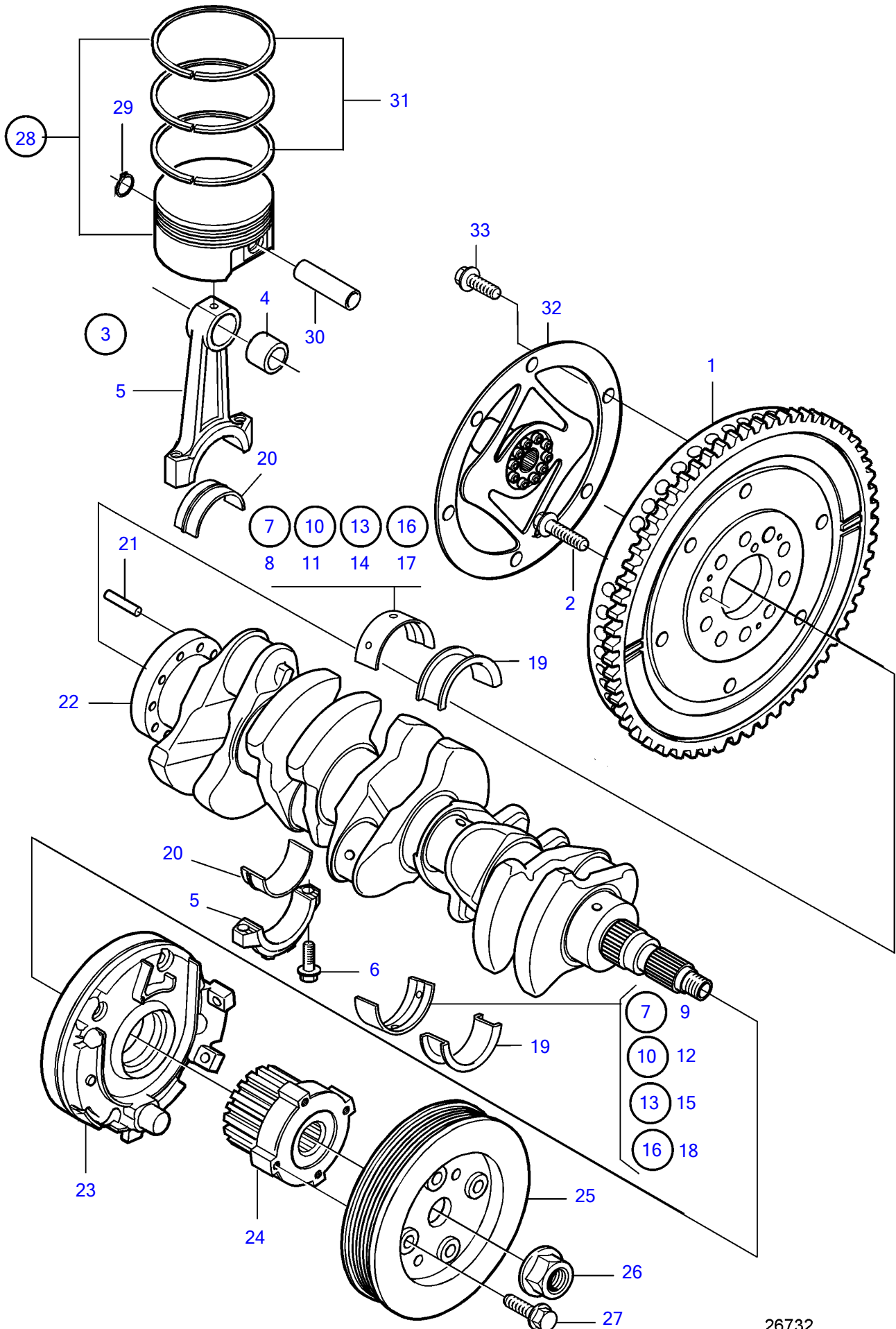


D3-130I-A, D3-160I-A



D3-130I-A, D3-160I-A

REF	PART NO.	QTY	DESCRIPTION	SEE SEC.	NOTES
1	30681145	1	Flywheel		(8675012)
2	9454743	10	Screw		
3	30777189	5	Connecting rod		
4		1	• Bushing		
5		1	• Connecting rod		
6	9497858	2	• Screw		
7	(274482)	1	Main bearing kit, complete		Obsolete part, Include all main bearings needed for overhauling the engine
	31251577	5	Main bearing		Without flange, red, SN-2003015290, See Workshop Manual
	31251378	5	Main bearing		Without flange, red, SN2003015291-, See Workshop Manual
8	31330321	5	• Main bearing		Red, Without flange, upper, See workshop Manual
9	30777951	5	• Main bearing		Red, Without flange, lower, See workshop Manual
10	31251578	5	Main bearing		Without flange, yellow, SN-2003015290, See Workshop Manual
	31251379	5	Main bearing		Without flange, yellow, SN2003015291-, See Workshop Manual
11	31330322	5	• Main bearing		Yellow, Without flange, upper, See workshop Manual
12	30777952	5	• Main bearing		Yellow, Without flange, lower, See workshop Manual
13	31251579	5	Main bearing		Without flange, blue, SN-2003015290, See Workshop Manual
	31251380	5	Main bearing		Without flange, blue, SN2003015291-, See Workshop Manual
14	31330323	5	• Main bearing		Blue, Without flange, upper, See workshop Manual
15	30777953	5	• Main bearing		Blue, Without flange, lower, See workshop Manual
16	31251580	5	Main bearing		Without flange green, SN-2003015290
	31251381	5	Main bearing		Without flange green, SN2003015291-
17	31330324	5	• Main bearing		Green, Without flange, upper, See workshop Manual
18	30777954	5	• Main bearing		Green, Without flange, lower, See workshop Manual
19	31251597	1	Thrust bearing		With flange, red, See Workshop Manual
	31251598	1	Thrust bearing		With flange, yellow, See Workshop Manual
	31251599	1	Thrust bearing		With flange, blue, See Workshop Manual
20	9180722	5	Big-end bearing kit		
21	973660	1	Spring pin		
22	9465781	1	Crankshaft		
23		1	Oil pump	6342	
24	1275366	1	Pulley		
25	30731865	1	Vibration damper		(30637335)
26	3531111	1	Nut		
27	969445	4	Flange screw		
28	30750764	1	Piston kit		Class C
	30750765	1	Piston kit		Class D
	30750766	1	Piston kit		Class E
29		1	• Lock ring		
30		1	• Piston pin		
31	30731740	1	Piston ring kit		Std
32	3584285	1	Drive plate		
33	944926	6	Flange screw		