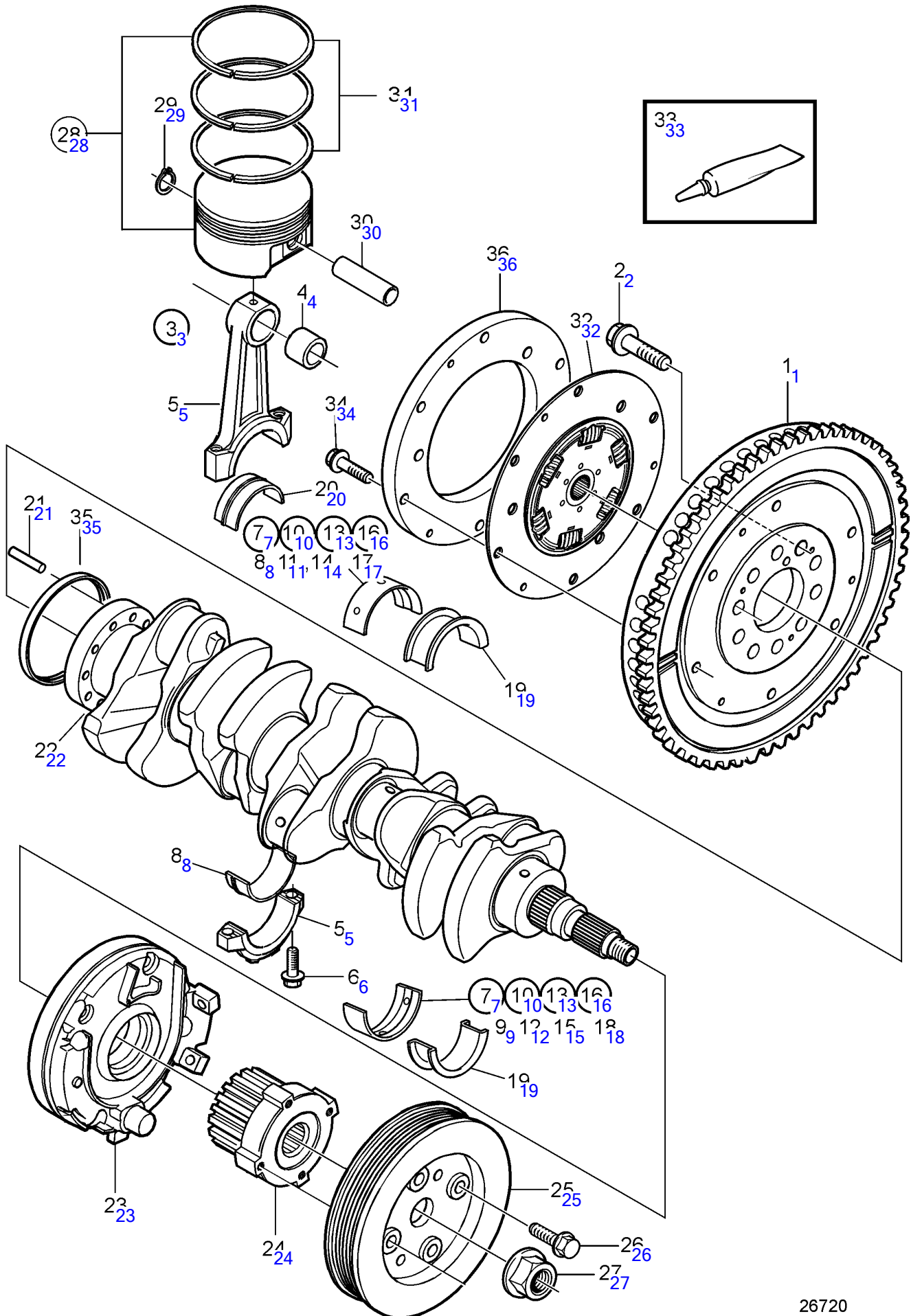


D3-110I-B, D3-130I-B, D3-160I-B, D3-190I-B



26720

D3-110I-B, D3-130I-B, D3-160I-B, D3-190I-B

REF	PART NO.	QTY	DESCRIPTION	SEE SEC.	NOTES
1	30681145	1	Flywheel		
2	9454743	10	Screw		
3	8631505	5	Connecting rod		
4		1	• Bushing		
5			•		
6	9497858	2	• Screw		
7	(274482)	1	Main bearing kit, complete		Obsolete part, Include all main bearings needed for overhauling the engine
	31251577	5	Main bearing		Without flange, red, SN-2003015290, See Workshop Manual
	31251378	5	Main bearing		Without flange, red, SN2003015291-, See Workshop Manual
8	31330321	5	• Main bearing		Red, Without flange, upper, See workshop Manual
9	30777951	5	• Main bearing		Red, Without flange, lower, See workshop Manual
10	31251578	5	Main bearing		Without flange, yellow, SN-2003015290, See Workshop Manual
	31251379	5	Main bearing		Without flange, yellow, SN2003015291-, See Workshop Manual
11	31330322	5	• Main bearing		Yellow, Without flange, upper, See workshop Manual
12	30777952	5	• Main bearing		Yellow, Without flange, lower, See workshop Manual
13	31251579	5	Main bearing		Without flange, blue, SN-2003015290, See Workshop Manual
	31251380	5	Main bearing		Without flange, blue, SN2003015291-, See Workshop Manual
14	31330323	5	• Main bearing		Blue, Without flange, upper, See workshop Manual
15	30777953	5	• Main bearing		Blue, Without flange, lower, See workshop Manual
16	31251580	5	Main bearing		Without flange green, SN-2003015290
	31251381	5	Main bearing		Without flange green, SN2003015291-
17	31330324	5	• Main bearing		Green, Without flange, upper, See workshop Manual
18	30777954	5	• Main bearing		Green, Without flange, lower, See workshop Manual
19	31251597	1	Thrust bearing		With flange, red, See Workshop Manual
	31251598	1	Thrust bearing		With flange, yellow, See Workshop Manual
	31251599	1	Thrust bearing		With flange, blue, See Workshop Manual
20	9180722	5	Big-end bearing kit		
21	973660	1	Spring pin		
22	9465781	1	Crankshaft		
23		1	Oil pump	9514	
24	1275366	1	Pulley		
25	30731865	1	Vibration damper		(30637335)
26	969445	1	Flange screw		
27	3531111	4	Nut		
28	30750674	1	Piston kit		Class C
	30750675	1	Piston kit		Class D
	30750676	1	Piston kit		Class E
29	8631473	1	• Lock ring		
30		1	• Piston pin		
31	30731740	1	Piston ring kit		Std, SN-2003004563
	30750678	1	Piston ring kit		Std, SN2003004564-
32	3807988	1	Vibration damper		
33	(598034)	1	• Grease		Obsolete part
34	948217	6	Flange screw		
35	9458178	1	Sealing ring		
36	3809460	1	Oscillation damper		

7744550-21-9545

26720

Upd:2014-05-08