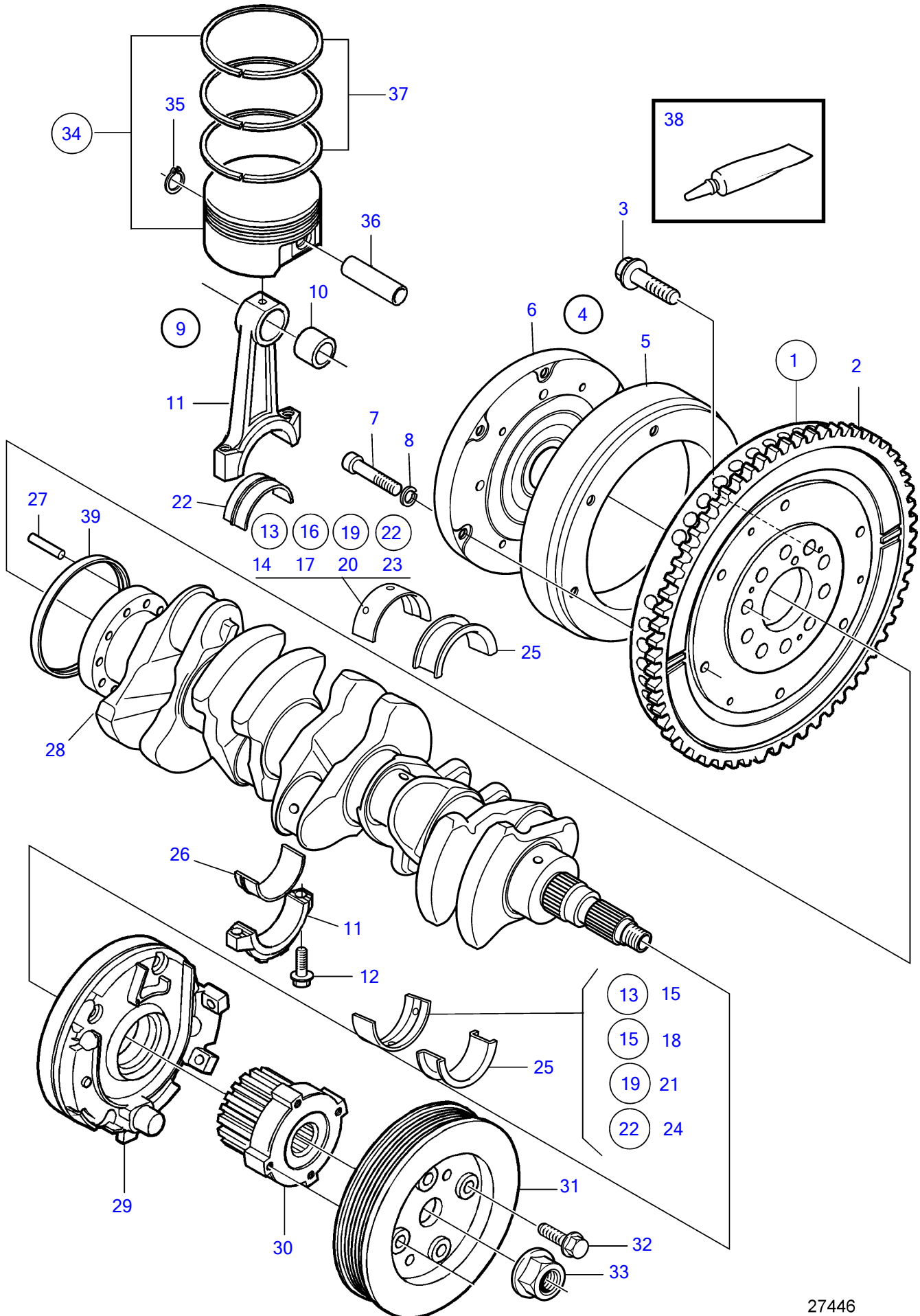


D3-110I-C, D3-130I-C, D3-160I-C, D3-190I-C



27446

D3-110I-C, D3-130I-C, D3-160I-C, D3-190I-C

REF	PART NO.	QTY	DESCRIPTION	SEE SEC.	NOTES
1	3818392	1	Flywheel		
2	3818641		• Gear ring		
3	9454743	10	Screw		
4	21321662	1	Flexible coupling		
5	21429352	1	• Adapter ring		
6	3582751	1	• Oscillation damper		
7	959233	6	• Hex. socket screw		
8	941907	6	• Spring washer		
9	8631505	5	Connecting rod		SN-2003015855
	30777189	5	Connecting rod		SN2003015858-
10		1	• Bushing		
11			•		
12	9497858	2	• Screw		
13	(274482)	1	Main bearing kit, complete		Obsolete part, Include all main bearings needed for overhauling the engine
	31251577	5	Main bearing		Without flange, red, SN-2003015290, See Workshop Manual
	31251378	5	Main bearing		Without flange, red, SN2003015291-, See Workshop Manual
14	31330321	5	• Main bearing		Red, Without flange, upper, See workshop Manual
15	30777951	5	• Main bearing		Red, Without flange, lower, See workshop Manual
16	31251578	5	Main bearing		Without flange, yellow, SN-2003015290, See Workshop Manual
	31251379	5	Main bearing		Without flange, yellow, SN2003015291-, See Workshop Manual
17	31330322	5	• Main bearing		Yellow, Without flange, upper, See workshop Manual
18	30777952	5	• Main bearing		Yellow, Without flange, lower, See workshop Manual
19	31251579	5	Main bearing		Without flange, blue, SN-2003015290, See Workshop Manual
	31251380	5	Main bearing		Without flange, blue, SN2003015291-, See Workshop Manual
20	31330323	5	• Main bearing		Blue, Without flange, upper, See workshop Manual
21	30777953	5	• Main bearing		Blue, Without flange, lower, See workshop Manual
22	31251580	5	Main bearing		Without flange green, SN-2003015290
	31251381	5	Main bearing		Without flange green, SN2003015291-
23	31330324	5	• Main bearing		Green, Without flange, upper, See workshop Manual
24	30777954	5	• Main bearing		Green, Without flange, lower, See workshop Manual
25	31251597	1	Thrust bearing		With flange, red, See Workshop Manual
	31251598	1	Thrust bearing		With flange, yellow, See Workshop Manual
	31251599	1	Thrust bearing		With flange, blue, See Workshop Manual
26	9180722	5	Big-end bearing kit		
27	973660	1	Spring pin		
28	9465781	1	Crankshaft		
29		1	Oil pump	9514	
30	1275366	1	Pulley		
31	30731865	1	Vibration damper		(30637335)
32	969445	4	Flange screw		
33	3531111	1	Nut		
34	30750674	1	Piston kit		Class C, SN-2003015855
	30750764	1	Piston kit		Class C, SN2003015858-
	30750675	1	Piston kit		Class D, SN-2003015855
	30750765	1	Piston kit		Class D, SN2003015858-
	30750676	1	Piston kit		Class E, SN-2003015855
	30750766	1	Piston kit		Class D, SN2003015858-
35	8631473	1	• Lock ring		SN-2003015855
36		1	• Piston pin		
37	30731740	1	Piston ring kit		Std, SN-2003004563
	30750678	1	Piston ring kit		Std, SN2003004564-
38	(598034)	1	• Grease		Obsolete part
39	9458178	1	Sealing ring		

7744550-21-36517

27446

Upd:2014-05-08