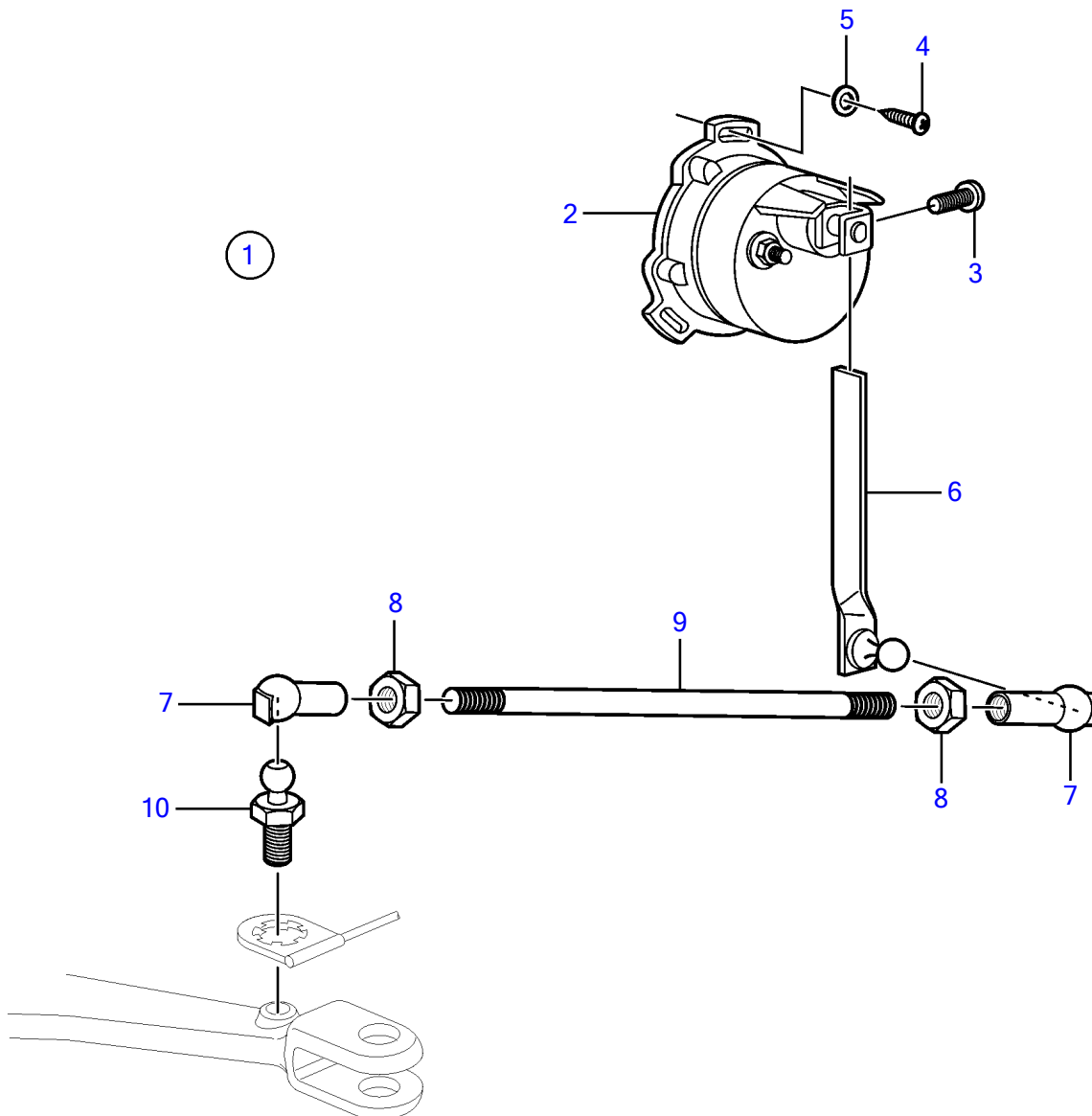
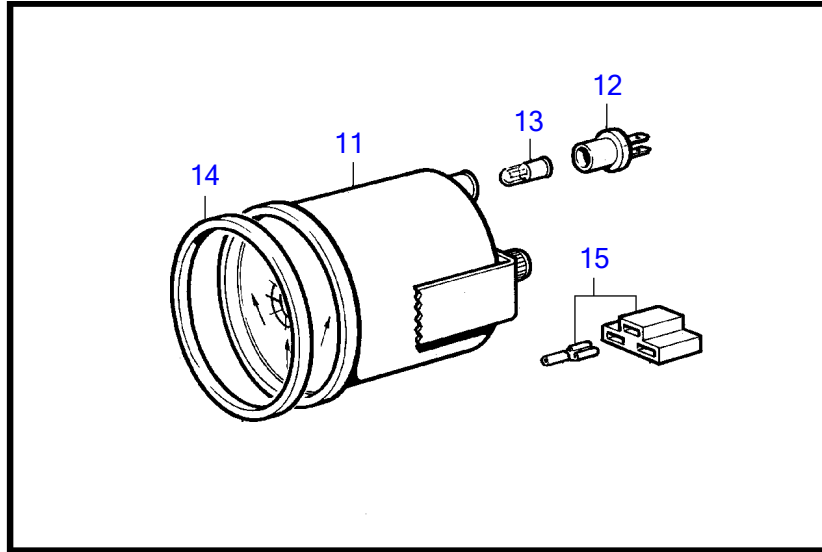


D3-110I-A, D3-110I-B, D3-110I-C, D3-130A-A, D3-130I-A, D3-130A-B, D3-130I-B, D3-130A-C, D3-130I-C, D3-160A-A, D3-160I-A, D3-160A-B, D3-160I-B, D3-160A-C, D3-160I-C, D3-190A-B, D3-190I-B, D3-190A-C, D3-190I-C



D3-110I-A, D3-110I-B, D3-110I-C, D3-130A-A, D3-130I-A, D3-130A-B, D3-130I-B, D3-130A-C, D3-130I-C, D3-160A-A, D3-160I-A, D3-160A-B, D3-160I-B, D3-160A-C, D3-160I-C, D3-190A-B, D3-190I-B, D3-190A-C, D3-190I-C

REF	PART NO.	QTY	DESCRIPTION	NOTES
1	21323189	1	Sensor	
2	837772	1	• Position sensor	
3		1	• • Screw	not sold separately
		2	• • Nut	not sold separately
		2	• • Lock washer	not sold separately
4	955132	3	• Cross recessed screw	
5	955891	3	• Washer	
6	3863388	1	• Arm	
7	946704	1	• Ball socket	Left hand threads
	946703	1	• Ball socket	Right hand threads
8	942836	1	• Hexagon nut	Left hand threads
	955780	1	• Hexagon nut	Right hand threads
9	943549	1	• Control rod	
10	21319346	1	• Ball stud	
11	863944	1	Rudder indicator	
	873207	1	• Brace kit	
		2	• • Nut	
		2	• Spacer	
12	863945	1	• Lamp socket	
13	863946	1	• Bulb	
14	858643	1	Front ring	
15		X	Connector	