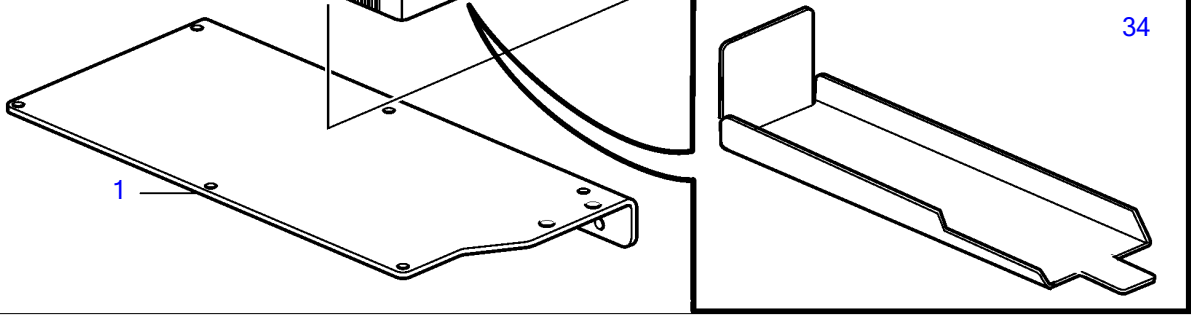
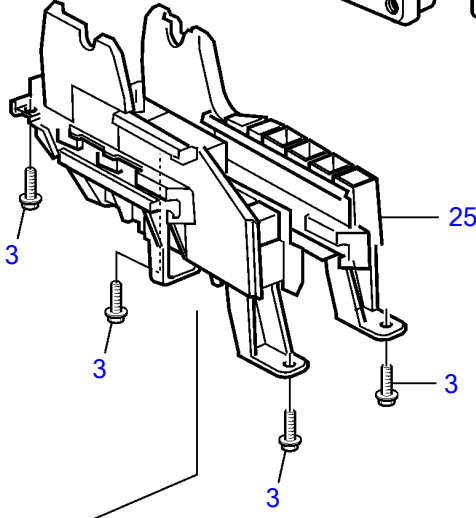
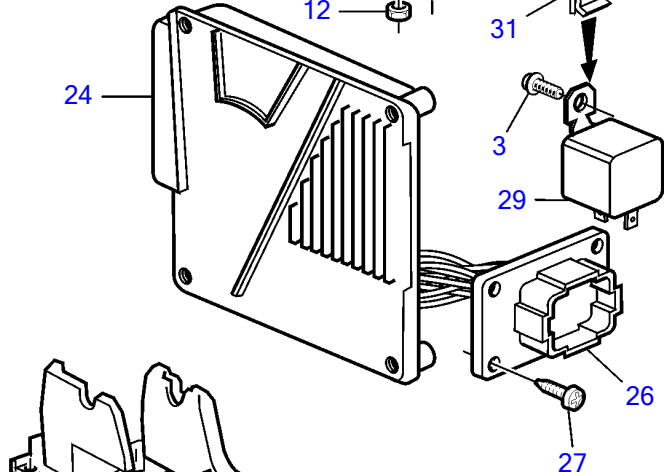
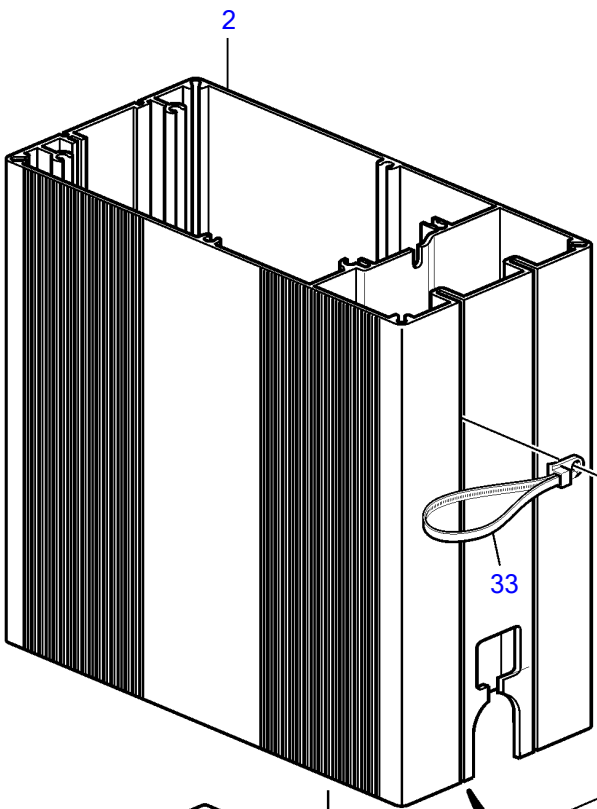
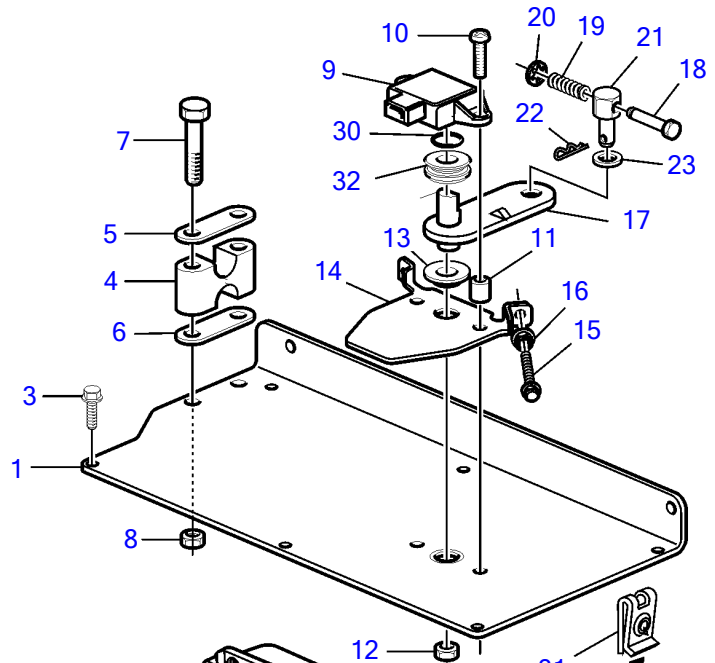
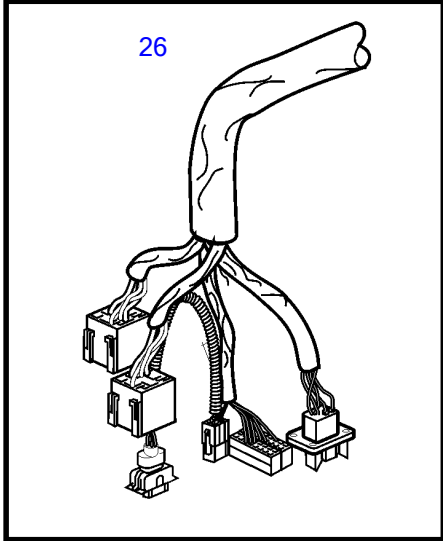


D3-110I-A, D3-110I-B, D3-110I-C, D3-130A-A, D3-130I-A, D3-130A-B, D3-130I-B, D3-130A-C, D3-130I-C, D3-160A-A, D3-160I-A, D3-160A-B, D3-160I-B, D3-160A-C, D3-160I-C, D3-190A-B, D3-190I-B, D3-190A-C, D3-190I-C



20467

D3-110I-A, D3-110I-B, D3-110I-C, D3-130A-A, D3-130I-A, D3-130A-B, D3-130I-B, D3-130A-C, D3-130I-C, D3-160A-A, D3-160I-A, D3-160A-B, D3-160I-B, D3-160A-C, D3-160I-C, D3-190A-B, D3-190I-B, D3-190A-C, D3-190I-C

REF	PART NO.	QTY	DESCRIPTION	SEE SEC.	NOTES
1	3807834	2	Cardboard tube		
2	3807556	1	Box frame		
3	947493	17	Flange screw		
4	872074	1	Retainer		
5	819068	1	Washer		
6	872076	1	Washer		
7	969439	2	6 point socket screw		
8	949874	2	Flange lock nut		
9	1336385	1	Potentiometer		
10	969558	2	6 point socket screw		
11	3825525	2	Spacer sleeve		
12	963103	2	Lock nut		
13	3829680	1	Bushing		
14	3807844	1	Bracket		
15	947542	2	Flange screw		
16	945407	2	Flange nut		
17	3825366	1	Intermediate lever		
18	814083	1	Adjusting nut		
19	814086	1	Spring		
20	968766	1	Retainer		
21	814085	1	Cube		
22	664822	1	Split pin		
23	955893	1	Washer		
24	3586930	1	Control unit		
			• Bulletin P-36-9-4	P-36-9-4-EN	Diode kit for engine control units on D3/EDC15 engines
24	3586269		Software		Warehouse programming. This p/n can not be ordered, but will be used for invoicing.
	3586268		Software		Vodia-programming. This p/n can not be ordered, but will be used for invoicing.
25	3807843	1	Bracket		
26	3807365	1	Cable kit		
27	969456	4	6 point socket screw		
28	969456	1	6 point socket screw		
29	873740	2	Relay		
30	943342	1	Sealing ring		
31	191391	2	Spring nut		
32	3829681	1	Washer		
33	949666	1	Cable tie		
34	21253185	1	Insulating cover		