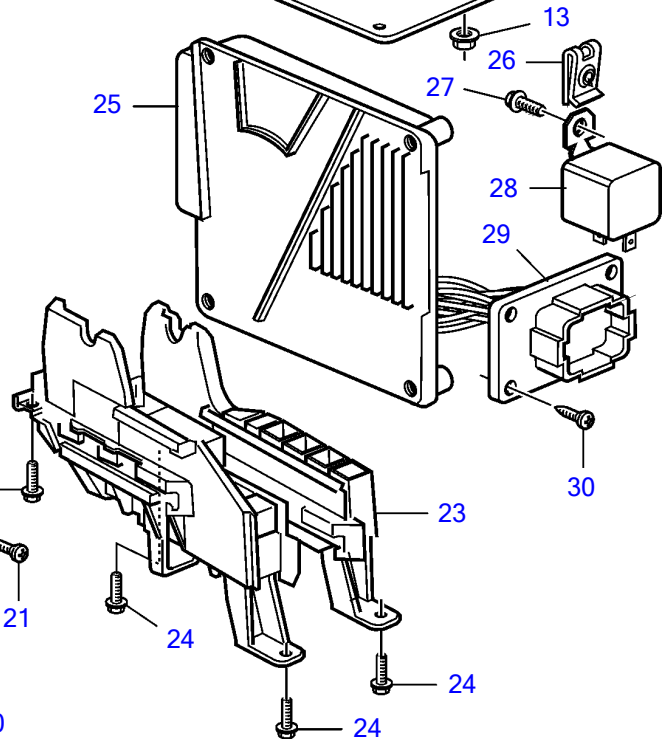
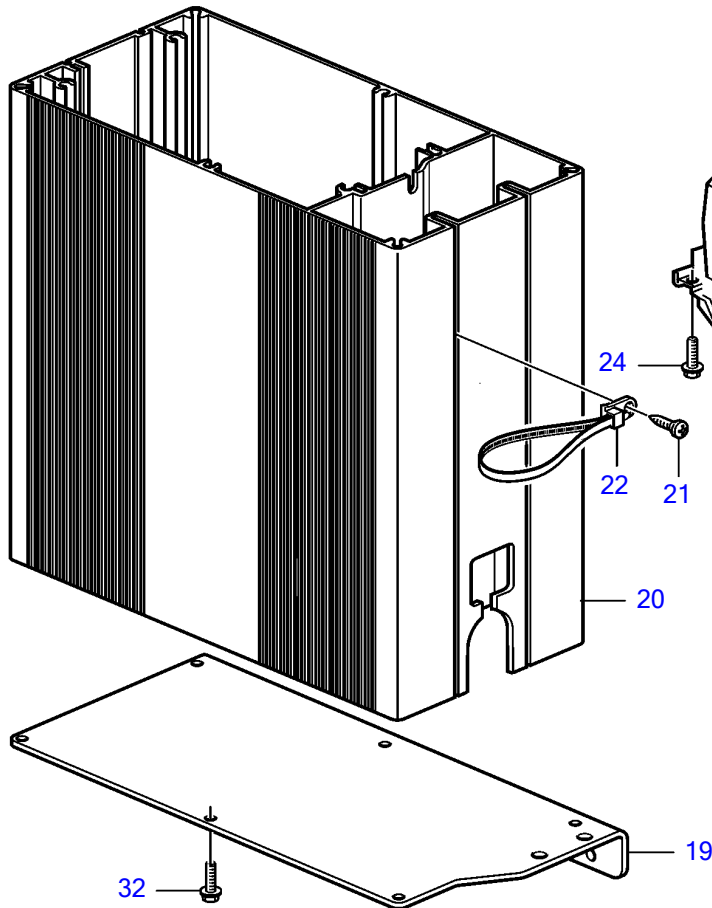
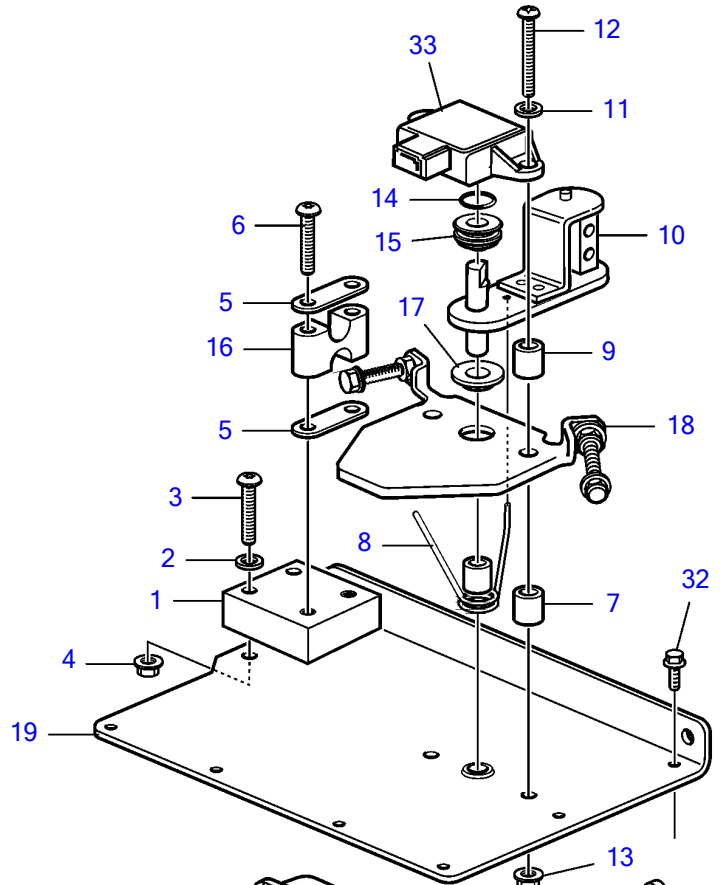
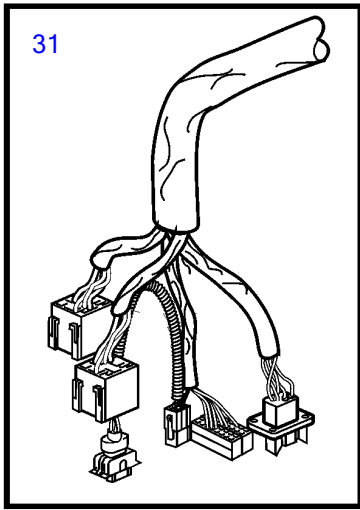


D3-110I-A, D3-110I-B, D3-110I-C, D3-130A-A, D3-130I-A, D3-130A-B, D3-130I-B, D3-130A-C, D3-130I-C, D3-160A-A, D3-160I-A, D3-160A-B, D3-160I-B, D3-160A-C, D3-160I-C, D3-190A-B, D3-190I-B, D3-190A-C, D3-190I-C



D3-110I-A, D3-110I-B, D3-110I-C, D3-130A-A, D3-130I-A, D3-130A-B, D3-130I-B, D3-130A-C, D3-130I-C, D3-160A-A, D3-160I-A, D3-160A-B, D3-160I-B, D3-160A-C, D3-160I-C, D3-190A-B, D3-190I-B, D3-190A-C, D3-190I-C

REF	PART NO.	QTY	DESCRIPTION	SEE SEC.	NOTES
1	3819195	1	Bracket		
2	940090	2	Washer		
3	969439	2	6 point socket screw		
4	949874	2	Flange lock nut		
5	819068	2	Washer		
6	969439	2	6 point socket screw		
7	847150	3	Spacer sleeve		
8	3883921	1	Spring		
9		2	Spacer sleeve		
10	3812728	1	Intermediate lever		
11	940090	2	Washer		
12	969440	2	6 point socket screw		
13	949874	2	Flange lock nut		
14	943342	1	Sealing ring		
15	3829681	1	Washer		
16	872074	1	Retainer		
17	3829680	1	Bushing		
18	947542	2	Flange screw		
19	3807834	2	Cardboard tube		
20	3807556	1	Box frame		
21	969456	1	6 point socket screw		
22	949666	1	Cable tie		
23	3807843	1	Bracket		
24	947493	6	Flange screw		
25	3586930	1	Control unit		
			• Bulletin P-36-9-4	P-36-9-4-EN	Diode kit for engine control units on D3/EDC15 engines
25	3586269		Software		Warehouse programming. This p/n can not be ordered, but will be used for invoicing.
	3586268		Software		Vodia-programming. This p/n can not be ordered, but will be used for invoicing.
26	191391	2	Spring nut		
27	947493	1	Flange screw		
28	873740	2	Relay		
29	3807365	1	Cable kit		
30	969456	4	6 point socket screw		
31	3807365	1	Cable kit		
32	947493	11	Flange screw		
33	1336385	1	Potentiometer		