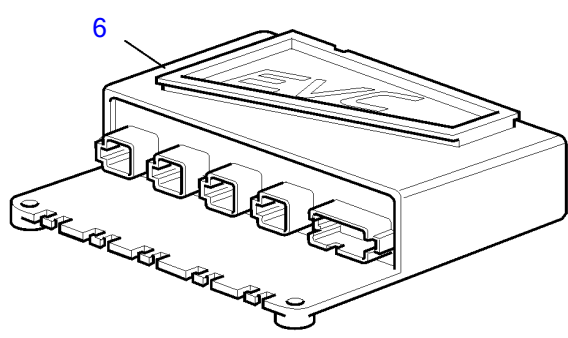
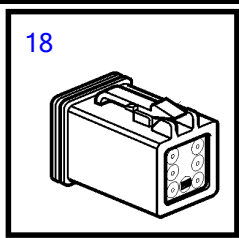
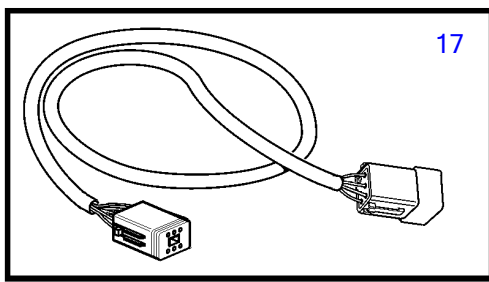
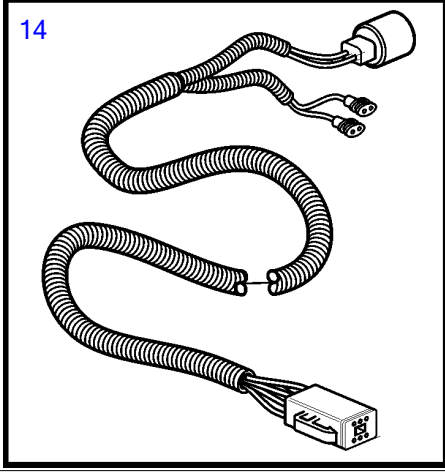
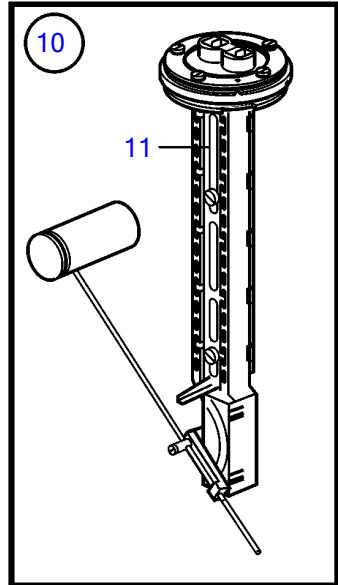
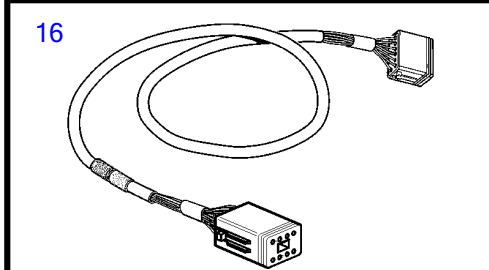
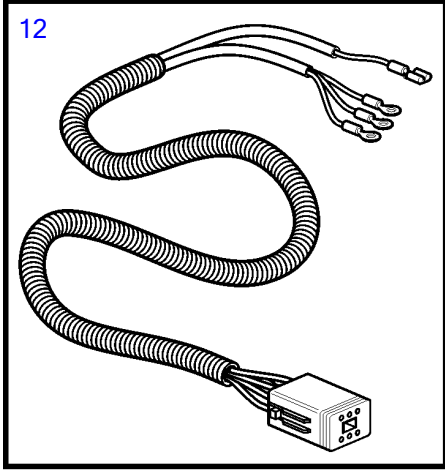
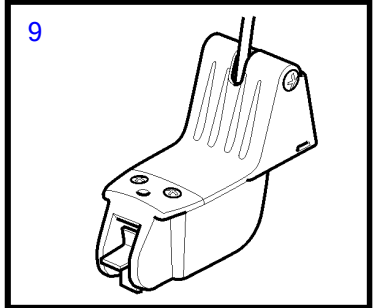
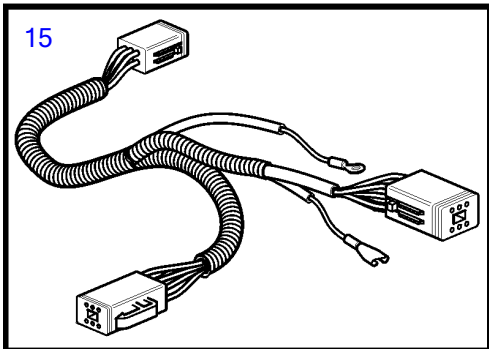
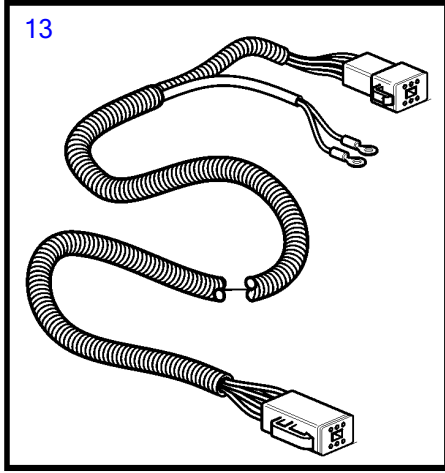
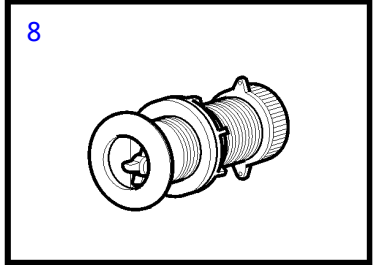
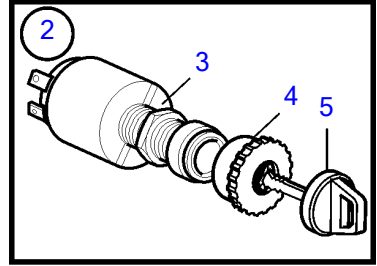
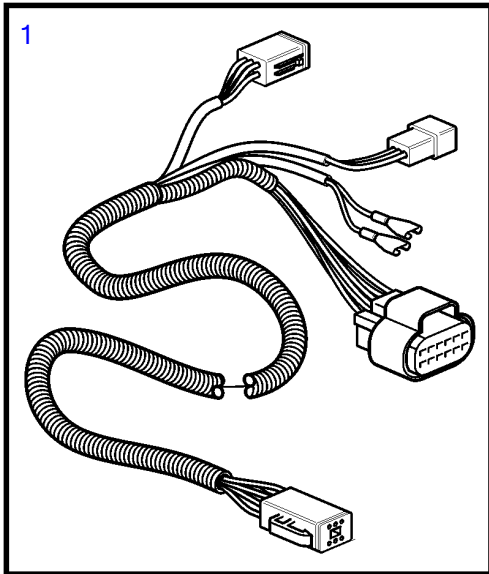
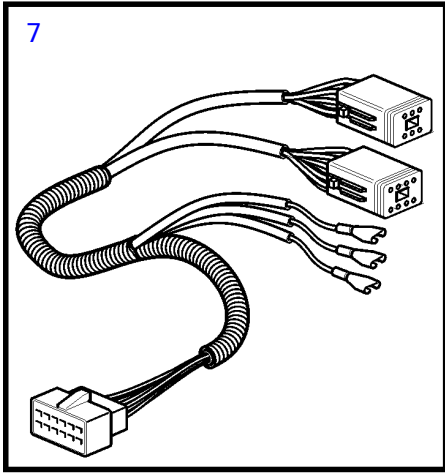


D3-110I-A, D3-130A-A, D3-130I-A, D3-160A-A, D3-160I-A



19944

D3-110I-A, D3-130A-A, D3-130I-A, D3-160A-A, D3-160I-A

REF	PART NO.	QTY	DESCRIPTION	SEE SEC.	NOTES
1	881801	1	Wiring harness		Included in EVC cable kit 3587052., L=2,0m
2	856659	1	Starter switch		For EVC-MC
	3587071	1	Starter switch		
3	888001	1	• Starter switch		
4	859955	1	• Plastic nut		
5	859953	1	• Key		
			• Bulletin 49-30	49-30-EN	Key P/N 859953
6	3807345	1	Control unit		For SX drive., HIU
	3807347	1	Control unit		For reverse gear, HIU
	3589927	1	Software		Warehouse programming. This p/n can not be ordered, but will be used for invoicing.
	3589926	1	Software		Vodia-programming. This p/n can not be ordered, but will be used for invoicing.
7	881800	1	Wiring harness		HIU to engine., Included in EVC cable kit 3587052.
8	3587054	1	Sensor		Through hull
9	3587055	1	Sensor		Mounted on transom
10	874840	1	Sensor		Replaced by 3812291
	3812291	1	Sensor kit		Replaced by 21575479
	21575479	1	Sensor kit		
11	873772	1	• Tank sensor		
12	881803	1	Wiring harness		For trim instrument and instrument light, Included in EVC cable kit 3587052., L=0.5m
13	881802	1	Cable		For fuel level sender, L=5.0m
14	881804	1	Wiring harness		For trim pump and trim sender, Included in EVC cable kit 3587052., L=5.0m
15	881805	1	Cable		L=0.5m
16	888248	1	Extension cable'verl		Multilink., L=3.0m, 8-way.
	888249	1	Extension cable'verl		L=5.0m, 8-way.
	888250	1	Extension cable'verl		L=7.0m, 8-way.
	888251	1	Extension cable'verl		L=9.0m, 8-way.
	888253	1	Extension cable'verl		L=11.0m, 8-way.
17	3842733	1	Extension cable'verl		L=3.0m, (888243), 6-Way
	888244	1	Extension cable'verl		L=5.0m, 6-Way
	3842735	1	Extension cable'verl		L=7.0m, (888245), 6-Way
	3842736	1	Extension cable'verl		L=9.0m, (888246), 6-Way
	3842737	1	Extension cable'verl		L=11.0m, (888247), 6-Way
18	3840433	1	Sealing plug		Plug for connection in HIU when reverse gear is used.