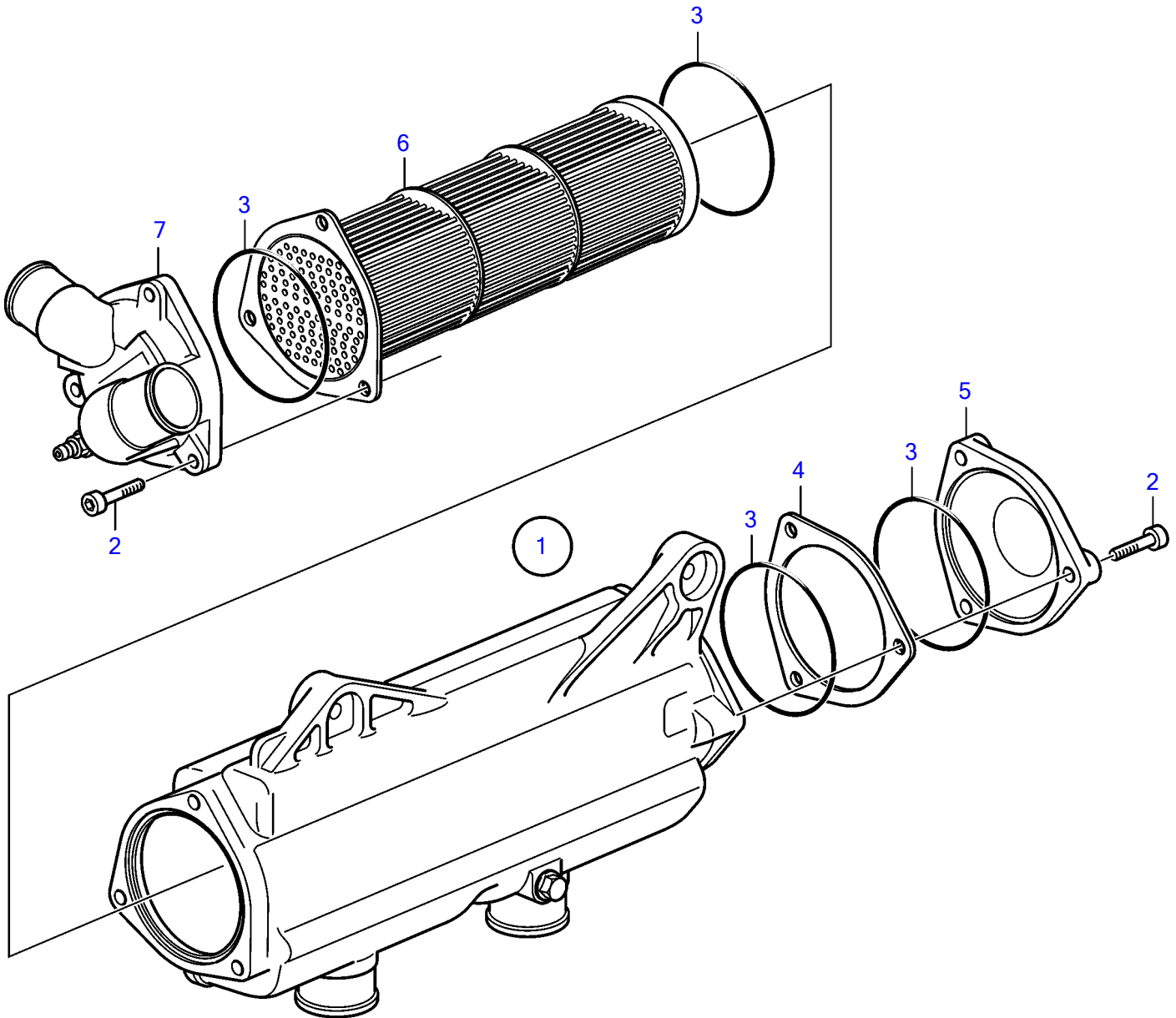


D3-190A-B, D3-190I-B, D3-190A-C, D3-190I-C



22753

D3-190A-B, D3-190I-B, D3-190A-C, D3-190I-C

REF	PART NO.	QTY	DESCRIPTION
1	3884167	1	Heat exchanger
2	959224	6	• Hex. socket screw
3	3581070	4	• O-ring
4	3580870	1	• Washer
5	888627	1	• Heater
6	3840375	1	• Insert
7	3884169	1	• End cover

7744550-26-9372

22753

Upd:2014-05-08